



New Fingerprint Door Lock Series

ShineACS Locks

www.acslocks.com

TEL: +86-769-82198515

vincent@acslocks.com

SKYPE: vincent.synco

Mobile/Whatsapp: +86 180 2898 8266



SL-FD19

Invisible Hand Fingerprint

Default Opening mode:

fingerprint card
Password key

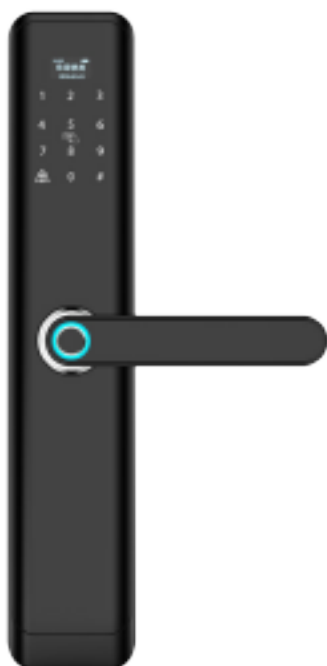
(Optional:
Bluetooth unlock.
Wifi Remotly unlock)



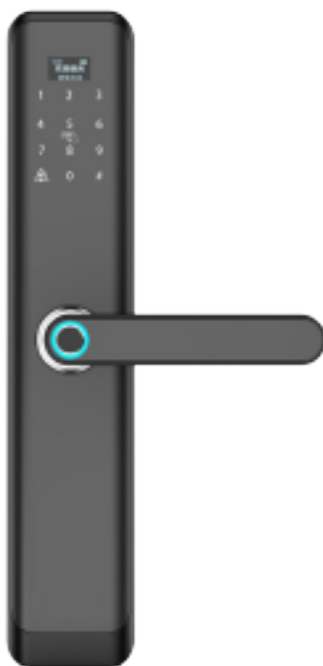
SL-FD19

SL-FD19
smart Series

Biosemiconductor fingerprint head imported from Germany, invisible design
Quick Recognition One Step Open Door



Glory Black



Black grey

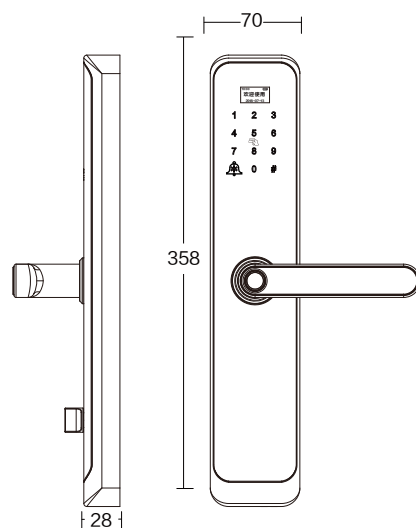


PARAMETER

Model	SL-FD19
Appearance Technology	Baking paintUV+IMD
Grade	C-Class cylinder
Door type	Wooden door Wang Limen burglar-proof door
Password Length	6-8 digit
Standby time	13 months
Upgrade function	Self-contained doorbell function
Power supply mode	4 Sections 5 Alkaline Batteries
capacity	200 group

material	Zinc Alloy
Low power alarm	Low-power fingerprint light prompt
Lock body	Standard lock body 240*24MM
Fingerprint acquisition	FPC Semiconductor
Safety function	Uplift anti-lock indoor anti-lock
Duration of voyage	About one year
system function	Voice broadcast Chinese-English Switching
Number of passwords	Lock and alarm after 5 consecutive times

SIZE (MM)



i-Touch^{NEW}

Invisible Hand Fingerprint

SL-FD8
smart Series

Default Opening mode:

fingerprint card
Password key

(Optional:
Bluetooth unlock
Wifi Remotly unlock)



专利号: 201830477351.0

SL-FD8

SL-FD8
smart Series

Biosemiconductor fingerprint head imported from Germany, invisible design
Quick Recognition One Step Open Door



Black

Gray

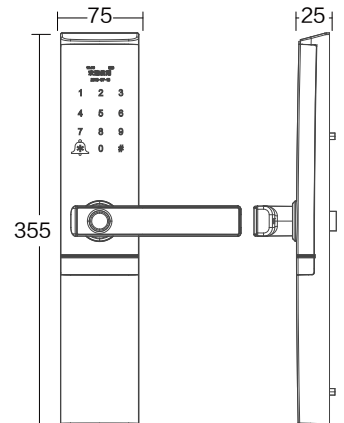
Gold

Red

PARAMETER

SIZE (MM)

Model	SL-FD8	material	Zinc Alloy
Appearance Technology	Baking paintUV+IMD	Low power alarm	Low-power fingerprint light prompt
Grade	C-Class cylinder	Lock body	Standard lock body
Door type	Wooden door Wang Limen burglar-proof door		240*24MM
Password Length	6-8 digit	Fingerprint acquisition	FPC Semiconductor
Standby time	13 months	Safety function	Uplift anti-lock indoor anti-lock
Upgrade function	Self-contained doorbell function	Duration of voyage	About one year
Power supply mode	4 Sections 5 Alkaline Batteries	system function	Voice broadcast Chinese-English Switching
capacity	200 group	FAR	≤0.001%
Number of passwords	Lock and alarm after 5 consecutive times	Reputation of truth	≤0.01%



NEW SL-FD9 New Product Invasion

Home Security Upgrade
Start with smart locks

SL-FD9
smart series

Default Opening mode:

fingerprint card
Password key

(Optional:
Bluetooth unlock)



SL-FD9–Upgrade

SL-FD9
smart Series

Biosemiconductor fingerprint head imported from Germany, invisible design
Quick Recognition One Step Open Door



Black



Grey

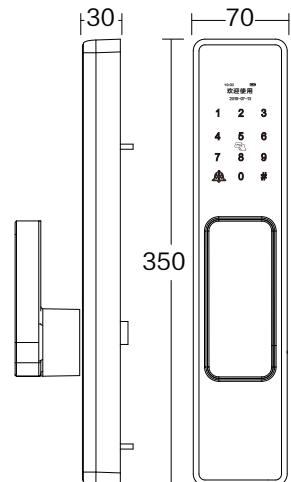


Gold

PARAMETER

Model	SL-FD9-Upgrade	material	Zinc Alloy
Appearance Technology	Baking paintUV+Acrylic wire	Low power alarm	Low-power fingerprint light prompt
Grade	C-Class cylinder	Lock body	Standard lock body
Door type	Wooden door burglar-proof door		240*24MM
Password Length	6-8 digit	Fingerprint acquisition	FPC Semiconductor
Standby time	13 months	Number of passwords	Lock and alarm after 5 consecutive times
thickness	38-120mm	Safety function	Uplift anti-lock indoor anti-lock
Power supply mode	4 Sections 5 Alkaline Batteries	Duration of voyage	About one year
capacity	200 group	system function	Voice broadcast Chinese-English Switching
Upgrade function	Self-contained doorbell function		

SIZE (MM)



SL-FD6-Upgrade
Metal texture
Feeling Simple

SL-FD6
smart Series

Default Opening mode:

fingerprint card
Password key

(Optional:
Bluetooth unlock
Wifi Remotly unlock)



SL-FD6-Upgrade

SL-FD6
smart Series

Biosemiconductor fingerprint head imported from Germany, invisible design
Quick Recognition One Step Open Door

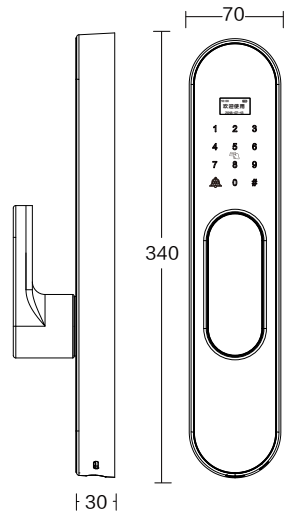


Black

PARAMETER

Model	SL-FD6-Upgrade	material	Zinc Alloy
Appearance Technology	Baking paintUV+IMD	Low power alarm	Low-power fingerprint light prompt
Grade	C-Class cylinder	Lock body	Standard lock body
Door type	Wooden door burglar-proof door		240*24MM
Password Length	6-8 digit	Fingerprint acquisition	FPC Semiconductor
Standby time	13 months	Safety function	Uplift anti-lock indoor anti-lock
Upgrade function	Self-contained doorbell function	Duration of voyage	About one year
Power supply mode	4 Sections 5 Alkaline Batteries	system function	Voice broadcast Chinese-English Switching
capacity	200 group	Number of passwords	Lock and alarm after 5 consecutive times

SIZE (MM)



Surface Smart Screen

Algorithmic encryption

Core Technology Locks Happiness

SL-FM6
smart Series

Default Opening mode:

fingerprint card
Password key

(Optional:
Bluetooth unlock)



SL-FM6

SL-FM6
smart Series

Biosemiconductor fingerprint head imported from Germany, invisible design
Quick Recognition One Step Open Door



Charm Black

silver

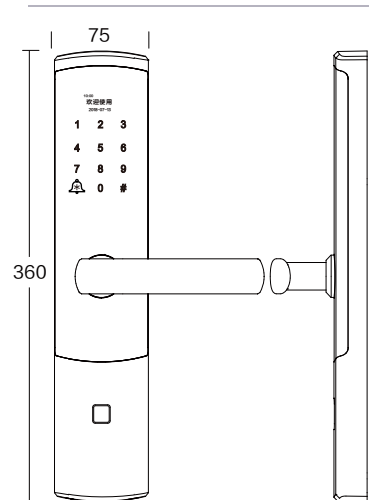
Luxury gold

Red bronze

PARAMETER

Model	SL-FM6	material	Zinc Alloy
Appearance Technology	Baking paintUV+IMD	Low power alarm	Low-power fingerprint light prompt
Grade	C-Class cylinder	Lock body	Standard lock body
Door type	Wooden door Wang Limen burglar-proof door		240*24MM
Password Length	6-8 digit	Fingerprint acquisition	FPC Semiconductor
Standby time	13 months	Safety function	Uplift anti-lock indoor anti-lock
Upgrade function	Self-contained doorbell function	Duration of voyage	About one year
Power supply mode	4 Sections 5 Alkaline Batteries	system function	Voice broadcast Chinese-English Switching
capacity	200 group	Anti-theft function	Anti-prying ALARM + illegal opening alarm
Number of passwords	Lock and alarm after 5 consecutive times	Static Current	<50UA

SIZE (MM)



Simply Fashion life

SL-FD2
smart Series

Default Opening mode:

fingerprint card
Password key

(Optional:
Bluetooth unlock
Wifi Remotly unlock)



SL-FD2

SL-FD2
smart Series

As hold As unlock,smart and security。



black

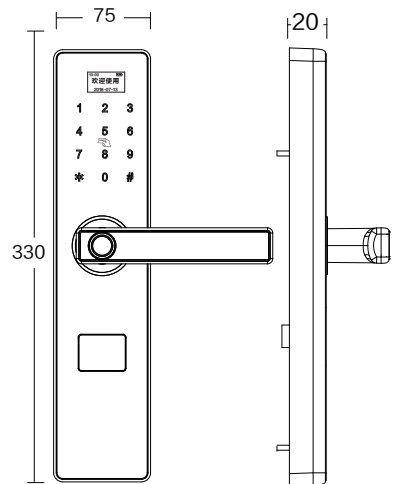
silver

Red bronze

PARAMETER

Model	SL-FD2	material	SUS304
Appearance Technology	Electroplating + Wire Drawing	Low power alarm	Low-power fingerprint light prompt
Grade	C-Class cylinder	Lock body	Standard lock body
Door type	Wooden door burglar-proof door		240*24MM
Password Length	6-8 digit	Fingerprint acquisition	FPC Semiconductor
Standby time	13 months	Number of passwords	Lock and alarm after 5 consecutive times
thickness	38-120mm	Safety function	Uplift anti-lock indoor anti-lock
Power supply mode	4 Sections 5 Alkaline Batteries	Duration of voyage	About one year
capacity	200 group	system function	Voice broadcast Chinese-English Switching
Upgrade function	Self-contained doorbell function	Sliding cover function	Semi-automatic sliding cover

SIZE (MM)



SUS 304
panel moe durable

SL-FD3
smart Series

Default Opening mode:

fingerprint card
Password key

(Optional:
Bluetooth unlock
Wifi Remotly unlock)



SL-FD3

SL-FD3
smart Series

As hold As unlock,smart and security。



black



Red bronze

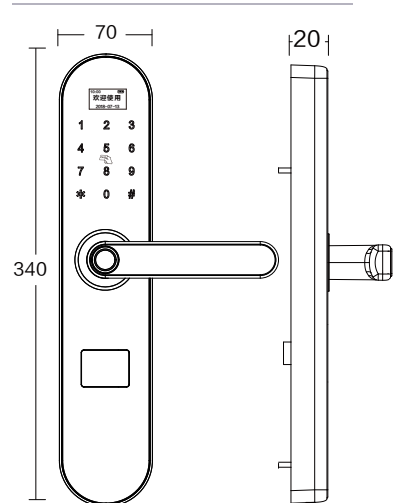


silver

PARAMETER

Model	SL-FD3	material	SUS304
Appearance Technology	Electroplating + Wire Drawing	Low power alarm	Low-power fingerprint light prompt
Grade	C-Class cylinder	Lock body	Standard lock body
Door type	Wooden door burglar-proof door		240*24MM
Password Length	6-8 digit	Fingerprint acquisition	FPC Semiconductor
Standby time	13 months	Number of passwords	Lock and alarm after 5 consecutive times
thickness	38-120mm	Safety function	Uplift anti-lock indoor anti-lock
Power supply mode	4 Sections 5 Alkaline Batteries	Duration of voyage	About one year
capacity	200 group	system function	Voice broadcast Chinese-English Switching
Upgrade function	Self-contained doorbell function	Sliding cover function	Semi-automatic sliding cover

SIZE (MM)



Engineering Customized Style

Radian line design

The Perfect Combination of
Supreme Science and
Technology and Beauty

SL-F1058
smart Series

Default Opening mode:

fingerprint card
Password key

(Optional:
Bluetooth unlock)



SL-F1058

SL-F1058
smart Series

Project special fund, imported 304 stainless steel fuselage, durable, using Swedish FPC semiconductor fingerprint identification Intelligent voice navigation system, self-contained doorbell, five-in-one function, economical and practical



Black



Silver



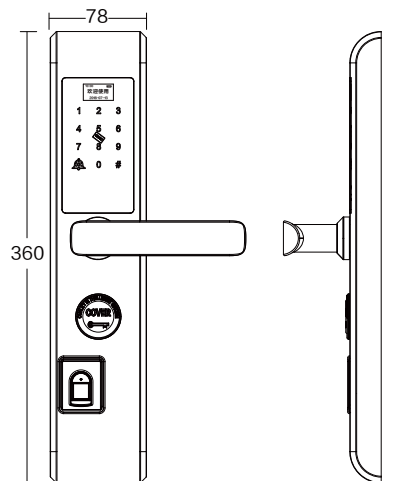
Red bronze

PARAMETER

Model	SL-F1058
Appearance Technology	Electroplating + Wire Drawing
Grade	C-Class cylinder
Door type	Wooden door burglar-proof door
Password Length	6-8 digit
Standby time	13 months
Upgrade function	Self-contained doorbell function
Power supply mode	4 Sections 5 Alkaline Batteries
capacity	200 group
Number of passwords	Lock and alarm after 5 consecutive times

material	SUS304
Low power alarm	Low-power fingerprint light prompt
Lock body	Standard lock body 240*24MM
Fingerprint acquisition	FPC Semiconductor
Safety function	Uplift anti-lock indoor anti-lock
Duration of voyage	About one year
system function	Voice broadcast Chinese-English Switching
FAR	≤0.001%
truthfulness	≤0.01%

SIZE (MM)



New SL-FA3

near Home

As hold as unlock

SL-FA3
smart Series

Opening mode:

fingerprint card

Password key

(Optional:
Bluetooth unlock
Wifi Remotly unlock)



SL-FA3

SL-FA3
smart Series

Zinc alloy panel anti violence unlocking, hidden lock hole anti-theft technology, indoor anti lock design.



Gold

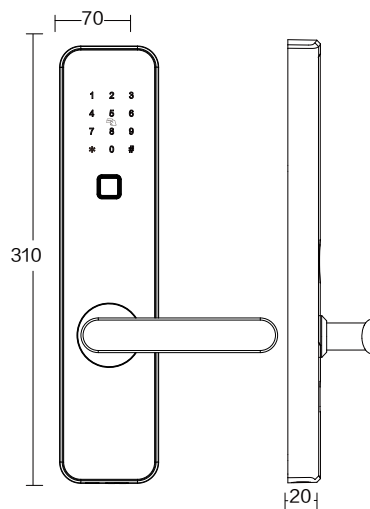
Grey

White

PARAMETER

Model	SL-FA3	material	Material Zinc Alloy/Aluminium Alloy Optional
Appearance Technology	Electroplating + Wire Drawing	Low power alarm	Low-power fingerprint light prompt
Grade	C-Class cylinder	Lock body	Standard lock body
Door type	Wooden door burglar-proof door		240*24MM
Password Length	6-8 digit	Fingerprint acquisition	FPC Semiconductor
Standby time	13 months	Safety function	Uplift anti-lock indoor anti-lock
Upgrade function	Self-contained doorbell function	Duration of voyage	About one year
Power supply mode	4 Sections 5 Alkaline Batteries	system function	Voice broadcast Chinese-English Switching
capacity	200 group	FAR	≤0.001%
Number of passwords	Lock and alarm after 5 consecutive times	Truthfulness	≤0.01%

SIZE (MM)



Simply Fashion life

SL-F1068
smart Series

Default Opening mode:

fingerprint card
Password key

(Optional:
Bluetooth unlock
Wifi Remotly unlock)



SL-F1068

SL-F1068
smart Series

As hold As unlock,smart and security。



black

silver

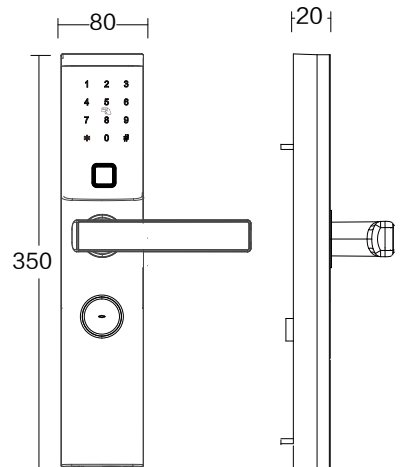
Red bronze

Gold

PARAMETER

Model	SL-F1068	material	SUS304
Appearance Technology	Electroplating + Wire Drawing	Low power alarm	Low-power fingerprint light prompt
Grade	C-Class cylinder	Lock body	Standard lock body
Door type	Wooden door burglar-proof door		240*24MM
Password Length	6-8 digit	Fingerprint acquisition	FPC Semiconductor
Standby time	13 months	Number of passwords	Lock and alarm after 5 consecutive times
thickness	38-120mm	Safety function	Uplift anti-lock indoor anti-lock
Power supply mode	4 Sections 5 Alkaline Batteries	Duration of voyage	About one year
capacity	200 group	system function	Voice broadcast Chinese-English Switching
Upgrade function	Self-contained doorbell function	Sliding cover function	Semi-automatic sliding cover

SIZE (MM)



Special lock for anti-theft door

Lock
body

Locks specially designed for narrow-edged doorframes



Standard lock body



Wang Li lock body



Cylindrical lock



Overlord lock

Broken Bridge Aluminum Lock

Imported 304 Stainless Steel
Strong, durable and safer

SL-F1019
smart Series

Opening mode:

fingerprint card
Password key

(Optional:
Wifi Remotly unlock)



SL-F1019

SL-F1019
smart Series

Special Lock for Broken Bridge Aluminum Door



Charm Black

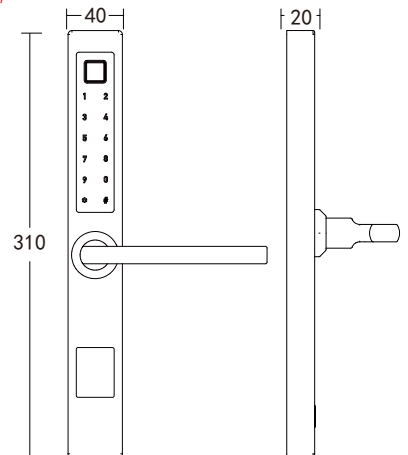


silver

PARAMETER

Model	SL-F1019	material	Material Stainless Steel 304 / Aluminium Alloy Optional
Appearance Technology	Electroplating + Wire Drawing	Low power alarm	Low-power fingerprint light prompt
Grade	C-Class cylinder	Lock body	85/35 85/45 85/60
Door type	Aluminum profile		85/28 85/35
Password Length	6-8 digit	Fingerprint acquisition	FPC Semiconductor
Standby time	13 months	Safety function	Uplift anti-lock indoor anti-lock
Power supply mode	4 Sections 5 Alkaline Batteries	Duration of voyage	About one year
capacity	200 group	truthfulness	≤0.01%
Number of passwords	Lock and alarm after 5 consecutive times		

SIZE (MM)



SL-F1018

Broken Bridge Aluminum Lock

Small and delicate lock body

SL-F1018
smart Series

Opening mode:

fingerprint card

Password key



SL-F1018

Intelligent Fingerprint Lock for Narrow Side Door Frame
Farewell to key bondage

SL-F1018
smart Series

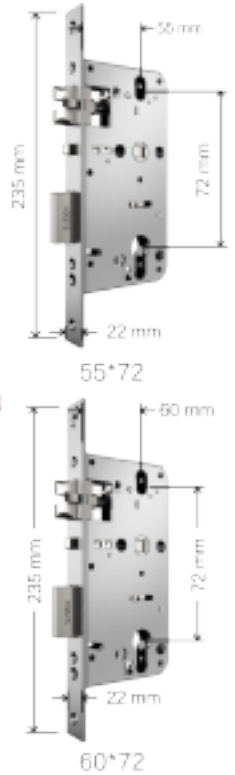


Charm Black

silver

Luxury gold

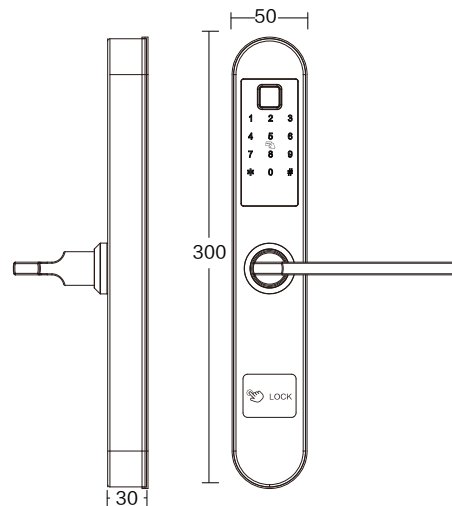
Red bronze



PARAMETER

Model	SL-F1018	material	SUS304
Appearance Technology	Electroplating + Wire Drawing	Low power alarm	Low-power fingerprint light prompt
Grade	C-Class cylinder	Lock body	85/35 85/45 85/60
Door type	Aluminum profile		85/28 85/35
Password Length	6-8 digit	Fingerprint acquisition	FPC Semiconductor
Standby time	13 months	Safety function	Uplift anti-lock indoor anti-lock
Power supply mode	4 Sections 5 Alkaline Batteries	Duration of voyage	About one year
capacity	200 group	truthfulness	≤0.01%
Number of passwords	Lock and alarm after 5 consecutive times		

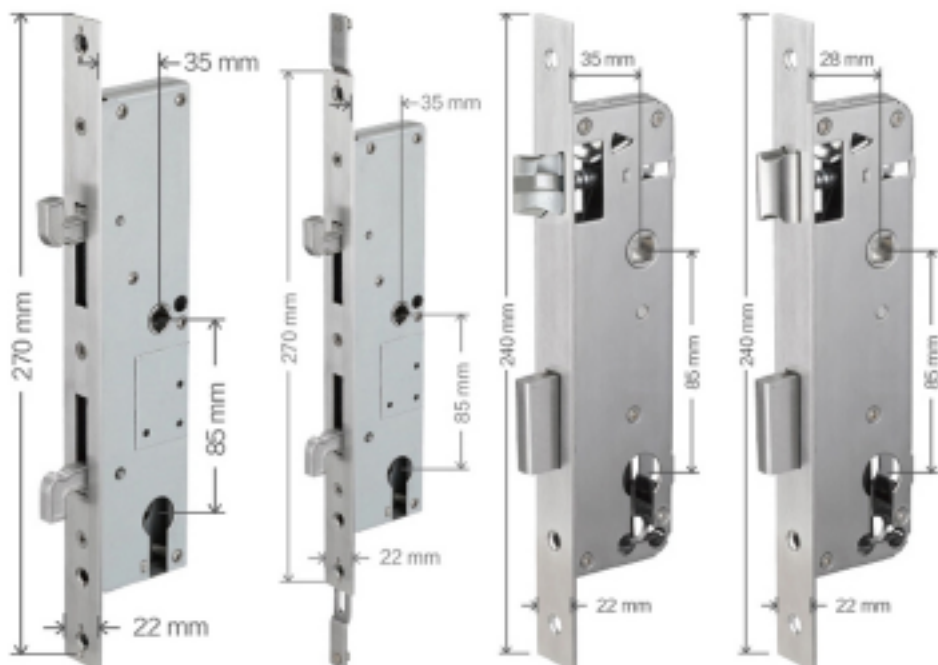
SIZE (MM)



Special Lock for Broken Bridge Aluminum Door

Locks specially designed for narrow-edged doorframes

Lock
body

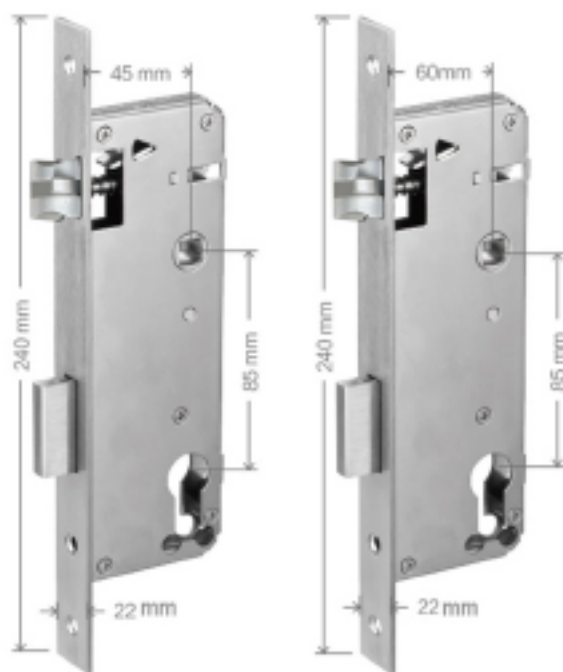


6#(Double hook35*85-Without lock)

6#(Double hook35*85-With lock)

4#(35*85)

4#(28*85)



4#(45*85)

4#(60*85)

SL-F5188

Retro fingerprint lock

New chinese
Restoration Style

SL-F5188
smart Series

Opening mode:

fingerprint card
Password key



SL-F5188

SL-F5188
smart Series



Gold

Silver

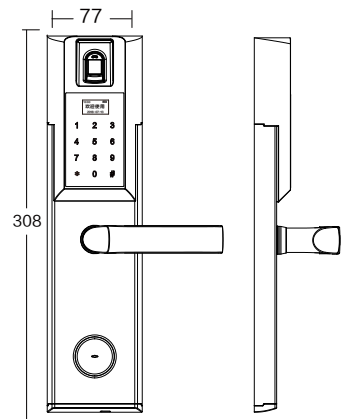
Black

Red bronze

PARAMETER

Model	SL-F5188	material	SUS
Appearance Technology	Electroplating + Wire Drawing	Low power alarm	Low-power fingerprint light prompt
Grade	C-Class cylinder	Lock body	2#Short
Door type	Wooden Door Composite Door	Fingerprint acquisition	FPC Semiconductor
Standby time	3 months	FAR	≤0.001%
Power supply mode	4 Sections 5 Alkaline Batteries	truthfulness	≤0.01%
capacity	200 group	Number of passwords	Lock and alarm after 5 consecutive times

SIZE (MM)



Wooden door lock

Waiting for love and warmth for home

SL-F2018
smart series

Default Opening mode:

fingerprint card
Password key

(Optional:
Bluetooth unlock
Wifi Remotly unlock)



SL-F2018

SL-F2018
smart Series



Silver

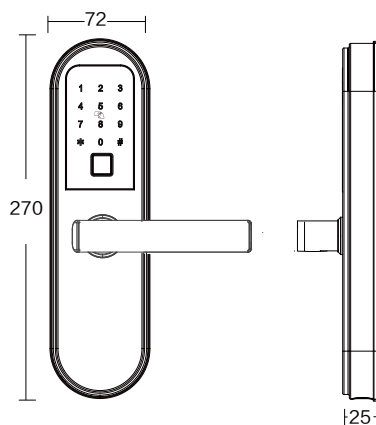
Black

Red bronze

PARAMETER

Model	SL-F2018	material	Zinc Alloy
Appearance Technology	Electroplating + Wire Drawing	Low power alarm	Low-power fingerprint light prompt
Grade	C-Class cylinder	Lock body	Big 50/Little 50
Door type	Wooden Door Composite Door	Fingerprint acquisition	FPC Semiconductor
Standby time	3 months	Safety function	Uplift anti-lock indoor anti-lock
Power supply mode	Built-in 650 mAh lithium battery	Charging interface	USB
capacity	120 fingerprints	FAR	≤0.001%
Number of passwords	Lock and alarm after 5 consecutive times	truthfulness	≤0.01%

SIZE (MM)



{25}

SL-F2020

Retro fingerprint lock

New chinese
Restoration Style

SL-F2020
smart Series

Opening mode:

**fingerprint
key**

(optional: TUYA Bluetooth)



SL-F2020

SL-F2020
smart Series



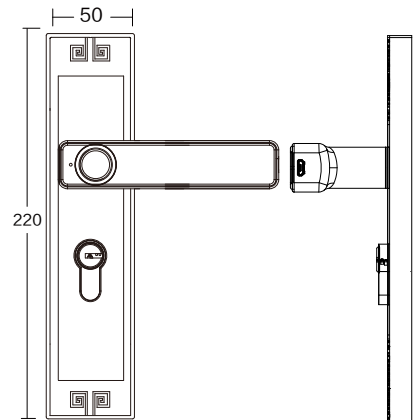
bronze

yellow bronze

PARAMETER

Model	SL-F2020	material	Zinc Alloy
Appearance Technology	Electroplating + Wire Drawing	Low power alarm	Low-power fingerprint light prompt
Grade	C-Class cylinder	Lock body	Big 50/Little 50
Door type	Wooden Door Composite Door	Fingerprint acquisition	FPC Semiconductor
Standby time	3 months	Safety function	Uplift anti-lock indoor anti-lock
Power supply mode	Built-in 650 mAh lithium battery	Charging interface	USB
capacity	120 fingerprints	FAR	$\leq 0.001\%$
Number of passwords	Lock and alarm after 5 consecutive times	truthfulness	$\leq 0.01\%$

SIZE (MM)



SL-F2019
smart Series

Opening mode:

**fingerprint
key**

(optional: TUYA Bluetooth)



SL-F2019

SL-F2019
smart Series

Project funding, high-quality zinc alloy fuselage, rugged and durable, using Swedish FPC semiconductor fingerprint recognition
Operating Indicator Tips, Economical and Practical



silver



black

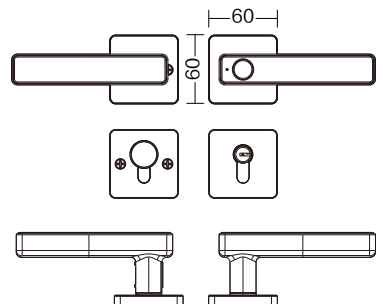


Gold

PARAMETER

Model	SL-F2019	material	Zinc Alloy
Appearance Technology	Electroplating + Wire Drawing	Low power alarm	Low-power fingerprint light prompt
Grade	C-Class cylinder	Lock body	60*85
Door type	Wooden Door Composite Door	Fingerprint acquisition	FPC Semiconductor
Standby time	3 months	Safety function	Uplift anti-lock indoor anti-lock
Power supply mode	Built-in 650 mAh lithium battery	Charging interface	USB
capacity	120 fingerprints	FAR	≤0.001%
Number of passwords	Lock and alarm after 5 consecutive times	truthfulness	≤0.01%

SIZE (MM)



SL-F2023

Indoor wooden door lock

Waiting for Home for Love
Safety, Confidence and Sleep

SL-F2023
smart Series

Opening mode:

fingerprint

(optional: TUYA Bluetooth)



SL-F2023

SL-F2023
smart Series

Biosemiconductor fingerprint head imported from Germany, invisible design
Quick Recognition One Step Open Door



Gold



Silver

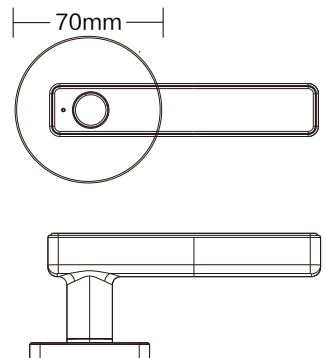


Black

PARAMETER

Model	SL-F2023	material	Zinc Alloy
Appearance Technology	Electroplating + Wire Drawing	Low power alarm	Low-power fingerprint light prompt
Grade	C-Class cylinder	Lock body	Spherical lock60/70
Door type	Wooden Door Composite Door	Fingerprint acquisition	FPC Semiconductor
Standby time	13 months	Charging interface	USB
capacity	120 fingerprints	FAR	≤0.001%

SIZE (MM)



Wooden door apartment lock

SL-F2022



Red bronze

bronze

(optional: TUYA Bluetooth)

PARAMETER

Model	SL-F2022
material	Zinc Alloy
Size	220*50mm
Lock body	B1 B2

Wooden door apartment lock

SL-F2025



2025Qinggu

2026Silver

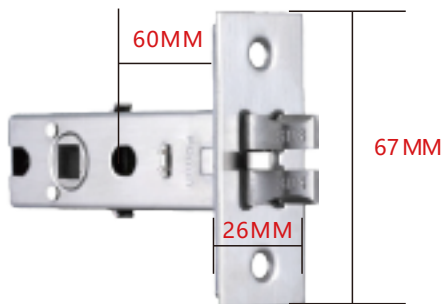
(optional: TUYA Bluetooth)

PARAMETER

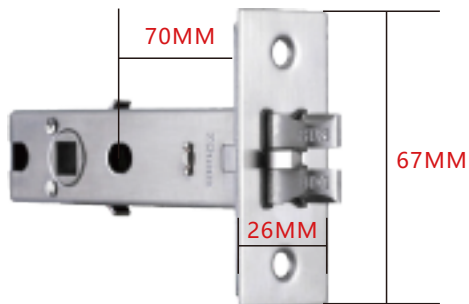
Model	SL-F2025 SL-F2026
material	Zinc Alloy
Size	230*50mm

Special lock for wooden door

Lock
body



A1 lock body (center distance 60MM)



A2 lock body (center distance 70MM)



B1 lock body (center distance 50MM)



B2 lock body (center distance 50MM)



Bluetooth Intelligent Door Lock

Application Bluetooth Control
Password is sent at any time
Massive User Management
Large-scale housing management



Opening mode:



card



Password



key



**Combination
unlock**

Touch screen apartment lock SL-BA3

SL-BA3
smart Series



Champagne gold



Metal Ash

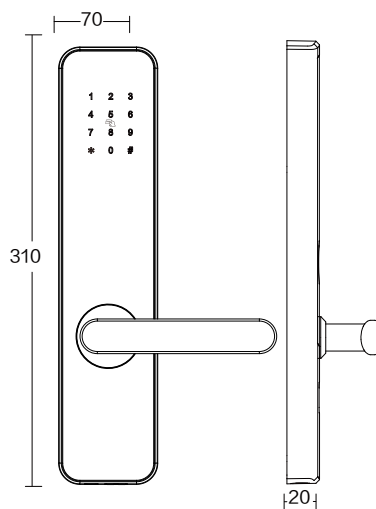


White

PARAMETER

SIZE (MM)

door lock type	SL-BA3	Material	Material Zinc Alloy/Aluminium Alloy Optional
Product lock	Standard lock body /Cylinder lock	system function	APP management/timed password
	Overlord lock body /Wang Li lock body		Record query/privilege management
Bluetooth distance	Bluetooth 5-meter card 0-1 cm	Standby time	13 months (15 switches per day)
Card capacity	200 sheets	ambient temperature	-25 degree -55 degree
code capacity	Infinite	Suitable door thickness	38-120mm
Password length	6-8-bit/16-bit fake passwords	Appearance technology	Baking varnish +UV
Suitable door type	Wooden door/burglar-proof door/Wang Limen	Lock core rating	Level C
Security function	Uplift lock, indoor reverse lock	Lock tongue material	304 stainless steel



Anti-theft door Password lock

SL-WD2



Black

silver

Red bronze

PARAMETER

Model	SL-WD2
material	SUS304
Size	330*75MM

Anti-theft door Password lock

SL-WD3



Black

silver

Red bronze

PARAMETER

Model	SL-WD3
material	SUS304
Size	340*70MM

Anti-theft door Password lock

SL-WD19



Black

Black grey

PARAMETER

Model	SL-WD19
material	Zinc Alloy
Size	358*70*28MM

Anti-theft door Password lock

SL-WD8



Black

Grey

Placer gold

Red

PARAMETER

Model	SL-WD8
material	Zinc Alloy
Size	355*75*25MM

Anti-theft door Password lock

SL-WD6



Black

PARAMETER

Model	SL-WD6
material	Zinc Alloy
Size	340*70*30MM

Anti-theft door Password lock

SL-WD6 Upgrade



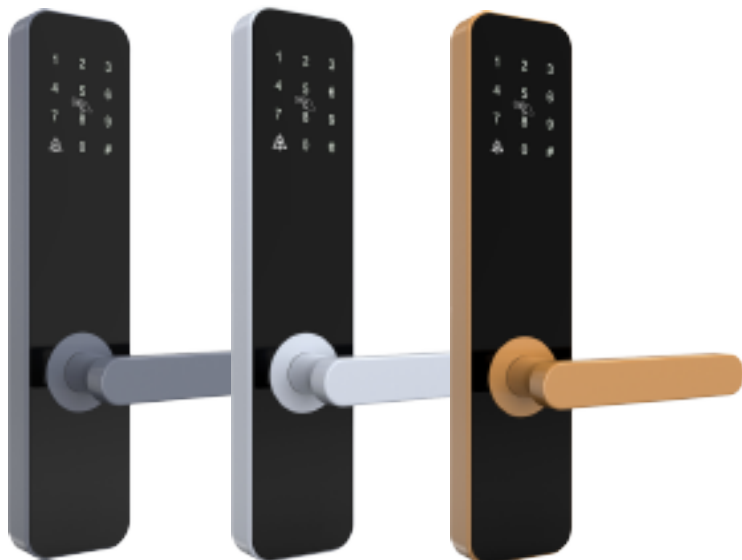
Black

PARAMETER

Model	SL-WD6 Upgrade
material	Zinc Alloy
Size	340*70*30MM

Anti-theft door Password lock

SL-WA3



Grey

White

Gold

PARAMETER

Model	SL-WA3
material	Material Zinc Alloy/Aluminium Alloy Optional
Size	310*70*20MM

Wooden door Password lock

SL-W2018



Black

Silver

Red bronze

PARAMETER

Model	SL-W2018
material	Zinc Alloy
Size	260*70*28mm

Ultra-narrow Aluminum Door Password lock

SL-W1019



Black



Silver

PARAMETER

Model	SL-W1019
material	Material Stainless Steel 304 / Aluminium Alloy Optional
Size	310*40*20MM