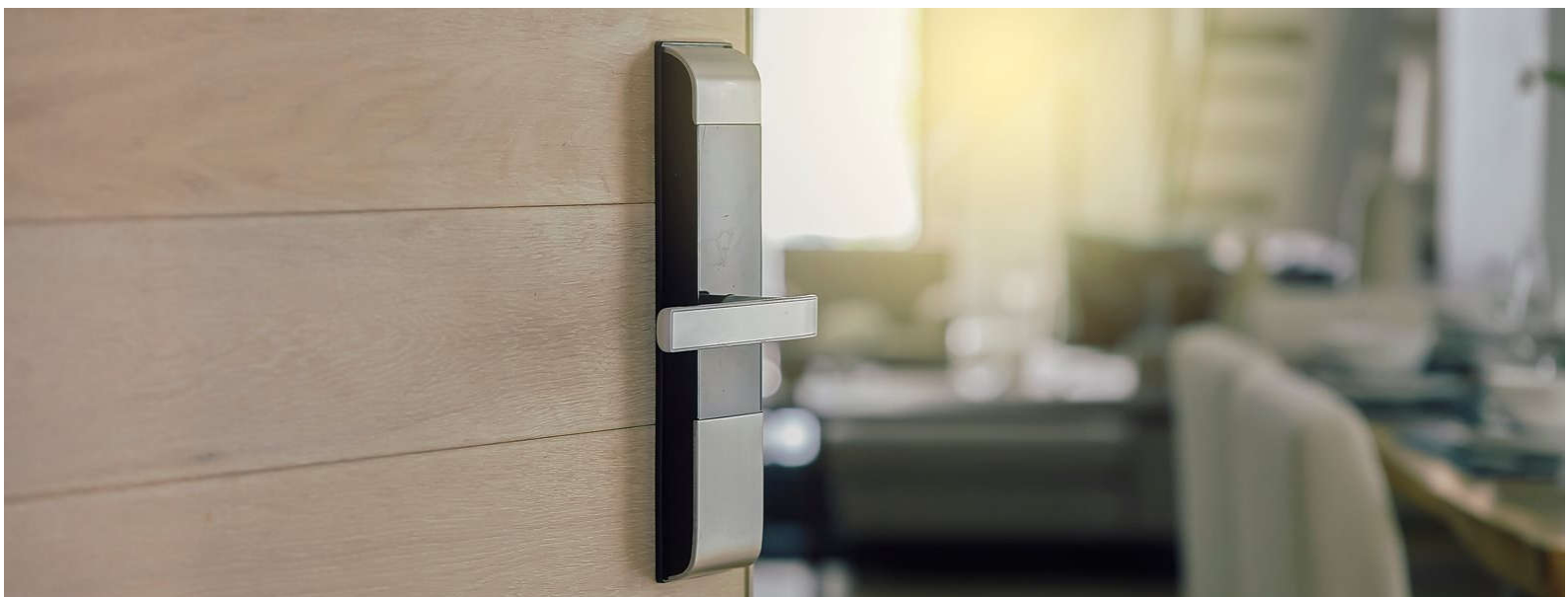




New Hotel Smart Door Lock Series ShineACS Locks

www.acslocks.com

emma@acslocks.com Whatsapp:86+18825003936



» Solutions for Management system

Hotel intelligent door lock system is a set of software and hardware integrated system, which is composed of the following parts



» software system:

Operating system that can run Windows 3.1 or more.

» Management software:

The system is managed, including setting the function of door lock, restricting the authority of the cardholder, reading the record of unlocking, adjusting the clock in the lock, etc.

» Card making module:

Connect with computer USB interface, read and write the smart card.

» Smart cards are divided into:

Open card and management card.

» Open-door card is divided into five levels of management:

Room card, cleaning card, floor card, building card, general card.

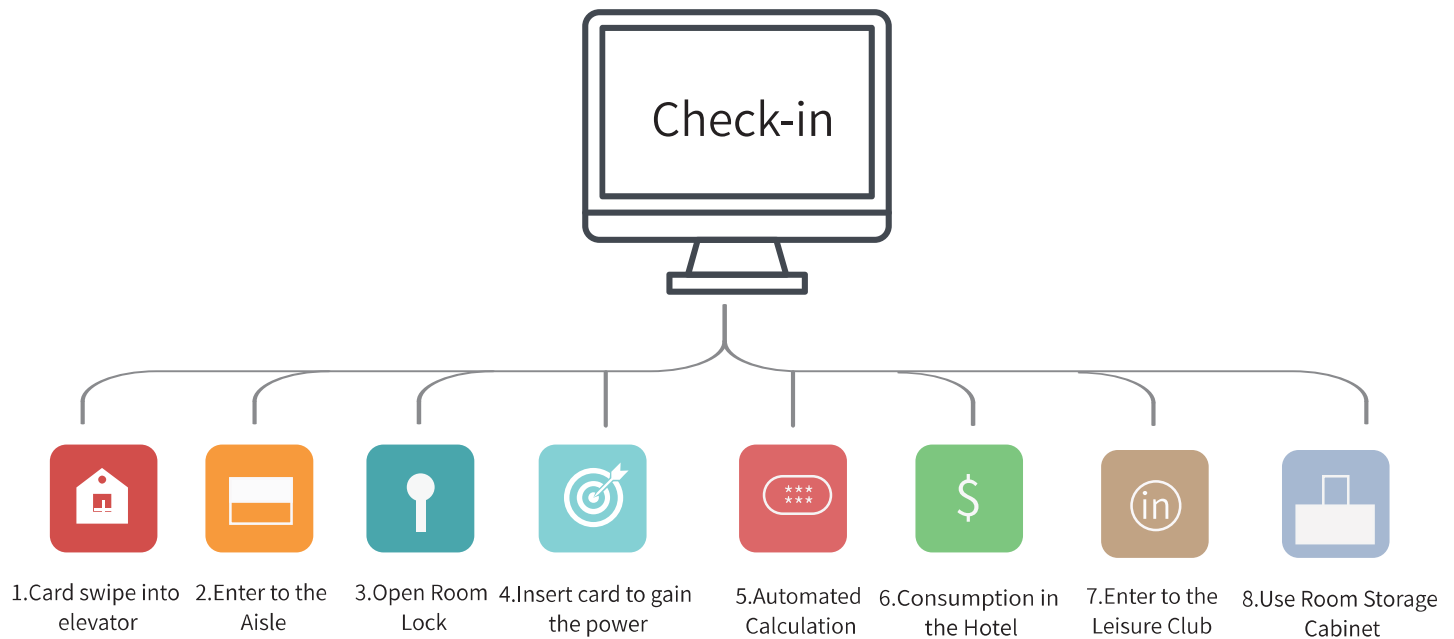
» The functional distinction of management card includes:

Setting card, time card, record card, restriction card.

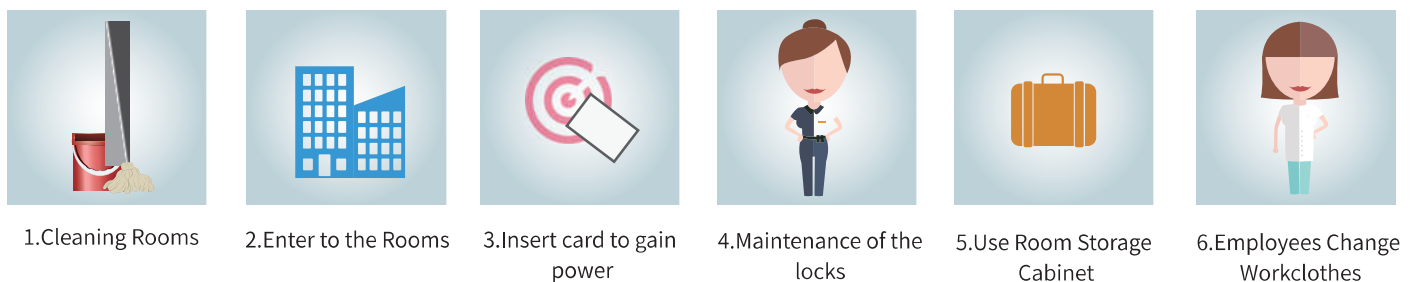
» IC card type:

TemicE5557/M1FARE-1 card/apartment ID board.

»» MIFARE ONE(MFI)card Functional Extension



»» Internal Controls



»» Function characteristics

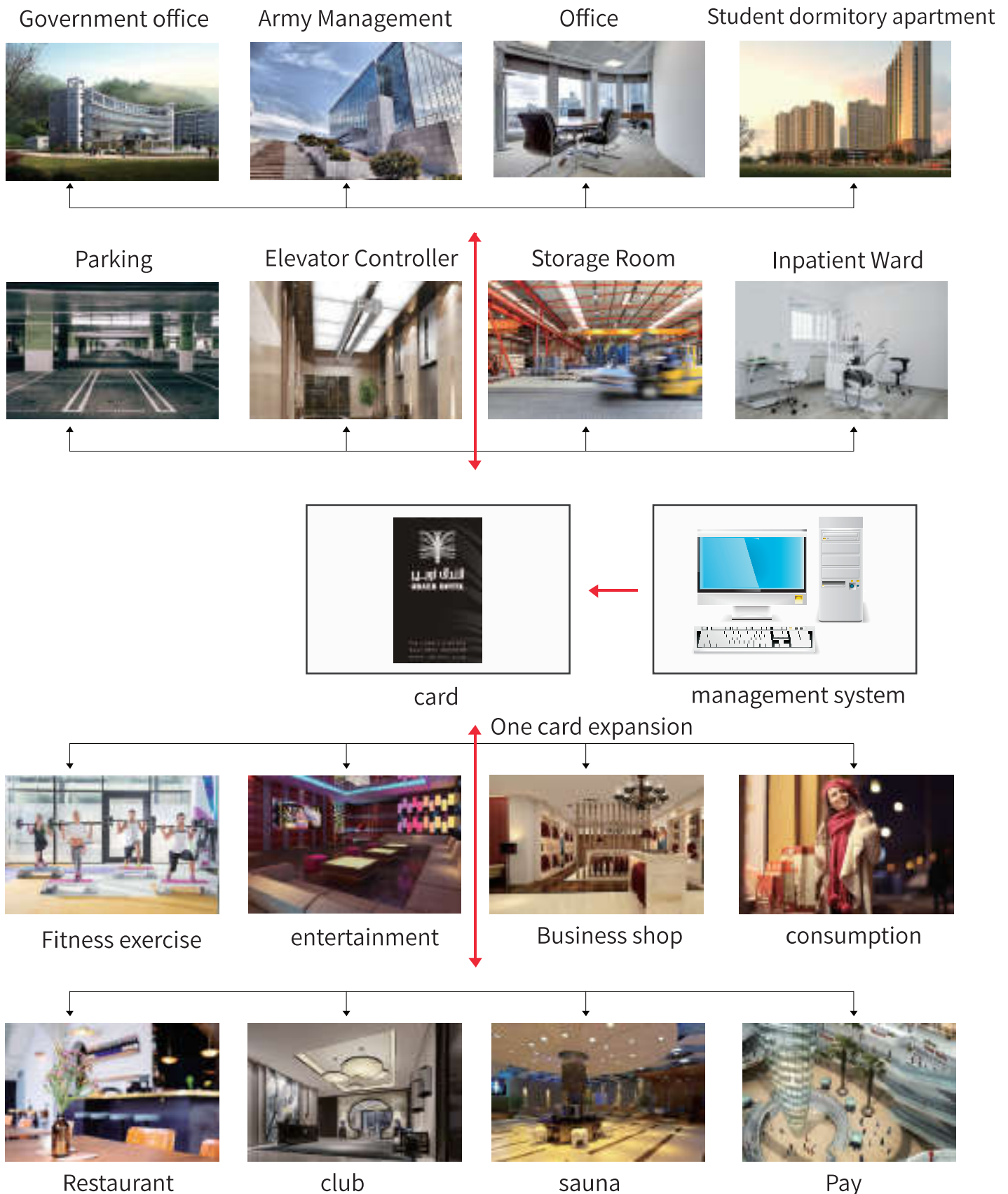
Hotel management system adopt MIFARE-1 as the core point, combining the hotel lock management, accessmanagement, accessmanagement system, parking all these to be a organic part, one card can be enough to use at all theonsuming, it is a better way to avoid the troble, it makes things easier, simple, tguarantee the different dept operationindependence, also guarantee the systematic Management.

Due to that induction type cards have many benefits of high capacity high capacity, high reliability (no mechanicalinfluence) high security, easy iperations and long life time. they have been widely used into various kinds of buldings. public Chargings, the communities, school and factories.

» Other Application

Smart door locks, provide not only an Integrated and systematic application of management for hotels, but also safe and convenient managerial solutions for schools, hospitals, buildings, government, military and other public places to provide .

Electronic locks provide the mature and complete access control, and flexible and convenient management system, to ensure the ID verifications, tracking records, and access rights.

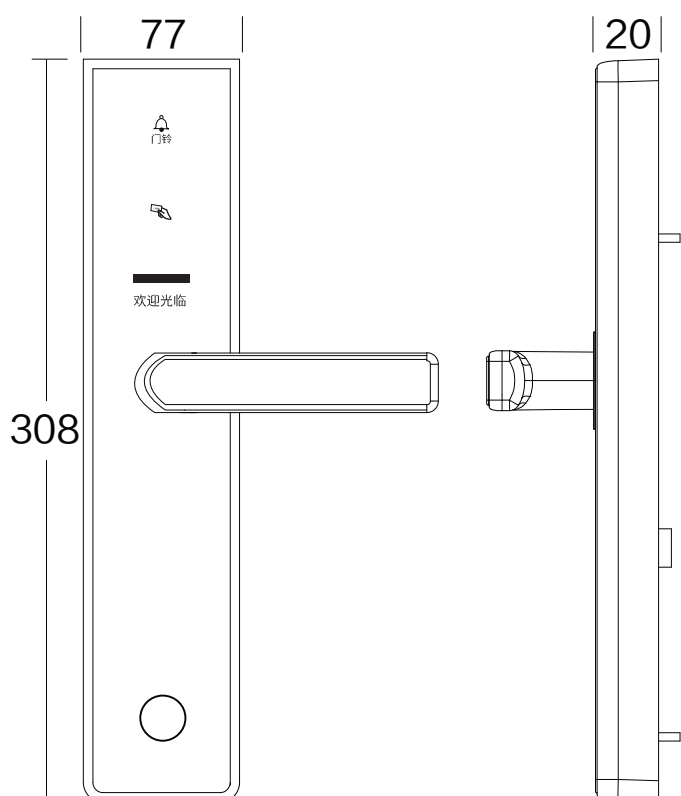


Hotel Intelligent Door Lock

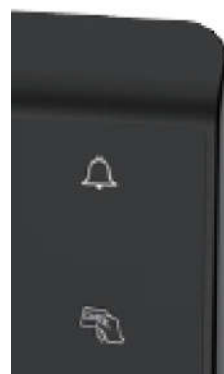
Simple, firm and durable appearance design style, stainless steel panel with alloy steel lining composite structure. Industrial grade motherboard design, Fully automatic SMI process, surface three-proof special treatment of high safety lock body, using the anti-interference function of American standard five-tongue lock body, can rotate the indoor knob.



SIZE (MM)



Emergency interface



Bring your own doorbell

Model **SL-HBRFU**

Material 304 stainless steel + inner steel plate

Colour Black

SL-HBRFU Edition



Indoor lock

Outdoor lock

PARAMETER

| | | | |
|-------------------|--|--------------------|--|
| Model | SL-HBRFU Edition | Method | Non-contact induction type |
| Unlock | Sensor cards. keys | Number | 255 sheets |
| Time | <1S | Distance | <3CM |
| Frequency | 125KHZ (T5557) | Frequency | 13.56MHZ (M1) |
| Battery quantity | Four LR6 alkaline batteries | Voltage | 1.5V |
| Low Voltage Alarm | < 4.8V | Induction distance | 0-5CM |
| Quiescent current | <20 μ A | Dynamic current | <120mA |
| Temperature | -10 $^{\circ}$ C-60 $^{\circ}$ C(-20 $^{\circ}$ C-70 $^{\circ}$ C) | Thickness | 38-55MM (Customized according to customer requirements) |
| Type | Temic E5557/M1FARE-1 card//apartment ID board | | |

Square series



SL-HARF Gold



SL-HARF Silver



SL-HARF Red Bronze



SL-HARF Black



SL-HBRF Gold



SL-HBRF Silver



SL-HBRF Red Bronze



SL-HBRF Black



SL-HBRFU Gold



SL-HBRFU Silver



SL-HBRFU Red Bronze



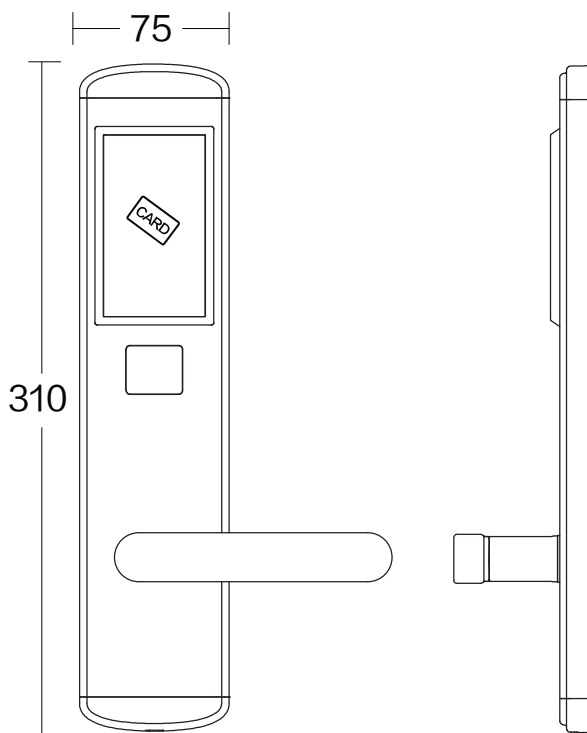
SL-HBRFU Black

SL-HA2RF--Styled hotel lock

Redefining door lock with science and technology, enjoying the design of life industrial motherboard and fully automatic SMI process.



■ SIZE (MM)



Emergency interface

Model **SL-HA2RF**

Material 201 stainless steel + inner steel plate

Colour **Silver**

SL-HA2RF Series



SL-HA2RF-BLACK

SL -HA2RF-Silver

SL-HA2RF-Red Bronze

SL-HA2RF-Gold

| | | | |
|-------------------|--|--------------------|-------------------------------|
| Model | SL-HA2RF | Method | Non-contact induction type |
| Size | 310*75MM | Colour | Silver. Gold.Black.Red Bronze |
| Unlock | Sensor cards. keys | Number | 255 sheets |
| Time | <1S | Distance | <3CM |
| Frequency | 125KHZ (T5557) | Frequency | 13.56MHZ (M1) |
| Battery quantity | Four LR6 alkaline batteries | Voltage | 1.5V |
| Low Voltage Alarm | < 4.8V | Induction distance | 0-5CM |
| Quiescent current | <20 μ A | Dynamic current | <120mA |
| Temperature | -10°C-60°C(-20°C-70°C) | Thickness | 38-55MM |
| Type | Temic E5557/M1FARE-1 card//apartment ID board (Customized according to customer requirements) | | |

Square series



SL-HCRF Gold



SL-HCRF Silver



SL-HCRF Red Bronze



SL-HCRF Black



SL-HDRF Gold



SL-HDRF Silver



SL-HDRF Red Bronze



SL-HDRF Black



SL-HERF Gold



SL-HERF Silver



SL-HERF Section Red Bronze



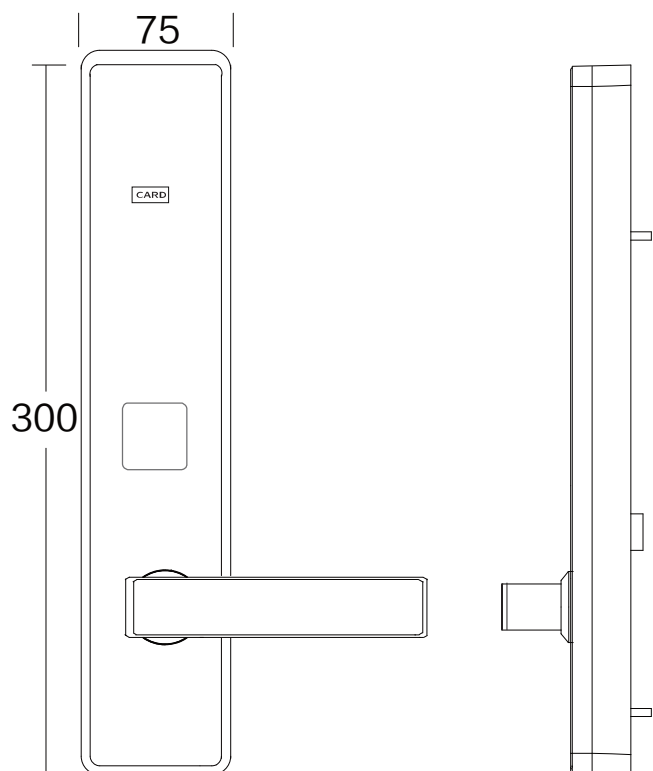
SL-HERF Black

SL-H508--Luxury fashion

Originated from the minimalist design concept, it perfectly combines the classic black mirror with the stainless steel frame to highlight the fashionable and dynamic atmosphere.



■ SIZE (MM)



| | |
|----------|---------|
| Model | SL-H508 |
| Material | SUS 304 |
| Colour | Gold |



SL-H508 series



SL-H508-Gold

SL-H508-Silver

SL-H508-Black

PARAMETER

| | | | |
|-------------------|--|--------------------|----------------------------|
| Model | SL-H508 | Method | Non-contact induction type |
| Size | 300*75MM | Colour | Silver. Gold.Black |
| Unlock | Sensor cards. keys | Number | 255 sheets |
| Time | <1S | Distance | <3CM |
| Frequency | 125KHZ (T5557) | Frequency | 13.56MHZ (M1) |
| Battery quantity | Four LR6 alkaline batteries | Voltage | 1.5V |
| Low Voltage Alarm | < 4.8V | Induction distance | 0-5CM |
| Quiescent current | <20 μ A | Dynamic current | <120mA |
| Temperature | -10°C-60°C(-20°C-70°C) | Thickness | 38-55MM |
| Type | Temic E5557/M1FARE-1 card//apartment ID board (Customized according to customer requirements) | | |

Hotel New Lock Series



SL-HA5-Silver

SL-HA5-Black

SL-HA5-Gold

Material SUS304

Size 280*73MM



SL-H152-Silver

SL-H152-Black

SL-H152-Red Bronze

SL-H152-Gold

Material SUS304

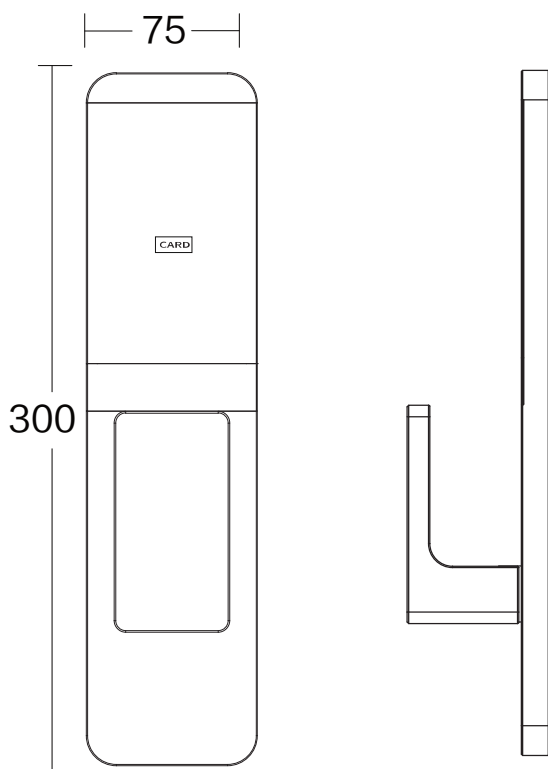
Size 306*75MM

SL-HA8--Light luxury fashion

Originated from the minimalist design concept, the perfect combination of square handle and lock body highlights the fashionable and dynamic atmosphere. -A8RF。



■ SIZE (MM)



indoor lock

outdoor lock

Model **SL-HA8**

Material **Ti Al alloy**

Colour **Silver**

SL-HA8 Series



SL-HA8-Black



SL-HA8-Silver



SL-HA8-Gold

PARAMETER

| | | | |
|-------------------|--|--------------------|----------------------------|
| Model | SL-HA8 | Method | Non-contact induction type |
| Size | 300*75MM | Colour | Silver. Gold.Black |
| Unlock | Sensor cards. keys | Number | 255 sheets |
| Time | <1S | Distance | <3CM |
| Frequency | 125KHZ (T5557) | Frequency | 13.56MHZ (M1) |
| Battery quantity | Four LR6 alkaline batteries | Voltage | 1.5V |
| Low Voltage Alarm | < 4.8V | Induction distance | 0-5CM |
| Quiescent current | <20 μ A | Dynamic current | <120mA |
| Temperature | -10°C-60°C(-20°C-70°C) | Thickness | 38-55MM |
| Type | Temic E5557/M1FARE-1 card//apartment ID board (Customized according to customer requirements) | | |

Hotel New Lock Series



SL-HA6-Gold

SL-HA6-Silver

SL-HA6-Black

Material Ti Al alloy

Size 300*75MM



SL-HA12-Gold

SL-HA12-Silver

SL-HA12-Black

Material Kirsite

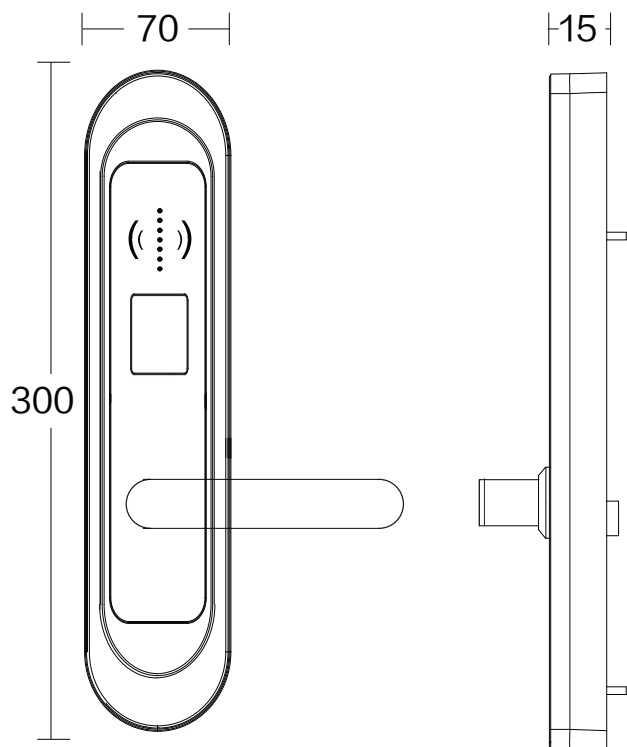
Size 300*75MM

SL-HA9--Curve design, fashion and luxury

Zinc alloy material is made by special grinding process. It is corrosion-resistant, abrasion resistant and has good brightness.



■ SIZE (MM)



Indoor lock Outdoor lock

Model **SL-HA9**

Material **Kirsite**

Colour **Silver**

SL-HA9 series



SL-HA9-Black

SL-HA9-Silver

SL-HA9-Rose Red

SL-HA9-Gold

PARAMETER

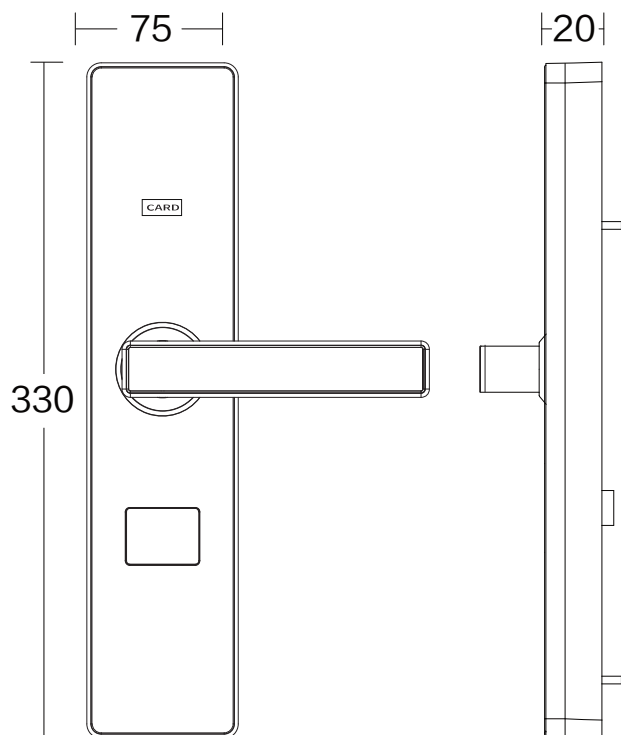
| | | | |
|-------------------|--|--------------------|-----------------------------|
| Model | SL-HA9 | Method | Non-contact induction type |
| Size | 300*70MM | Colour | Silver. Rose red.Black.gold |
| Unlock | Sensor cards. keys | Number | 255 sheets |
| Time | <1S | Distance | <3CM |
| Frequency | 125KHZ (T5557) | Frequency | 13.56MHZ (M1) |
| Battery quantity | Four LR6 alkaline batteries | Voltage | 1.5V |
| Low Voltage Alarm | < 4.8V | Induction distance | 0-5CM |
| Quiescent current | <20 μ A | Dynamic current | <120mA |
| Temperature | -10 $^{\circ}$ C-60 $^{\circ}$ C(-20 $^{\circ}$ C-70 $^{\circ}$ C) | Thickness | 38-55MM |
| Type | Temic E5557/M1FARE-1 card//apartment ID board (Customized according to customer requirements) | | |

SL-HD2--Luxury fashion

304 stainless steel integrated design, industrial grade main board design, electroplating + wire drawing process, quality comes from focus, Real material, indestructible.



SIZE (MM)



Indoor lock Outdoor lock

Model **SL-HD2**

Material **SUS 304**

Colour **Silver**

SL-HD2 series



SL-HD2-Black

SL-HD2-Silver

SL-HD2-Red bronze

PARAMETER

| | | | |
|-------------------|--|--------------------|----------------------------|
| Model | SL-HD2 | Method | Non-contact induction type |
| Size | 330*75MM | Colour | Silver. Red bronze.Black |
| Unlock | Sensor cards. keys | Number | 255 sheets |
| Time | <1S | Distance | <3CM |
| Frequency | 125KHZ (T5557) | Frequency | 13.56MHZ (M1) |
| Battery quantity | Four LR6 alkaline batteries | Voltage | 1.5V |
| Low Voltage Alarm | < 4.8V | Induction distance | 0-5CM |
| Quiescent current | <20 μ A | Dynamic current | <120mA |
| Temperature | -10°C-60°C(-20°C-70°C) | Thickness | 38-55MM |
| Type | Temic E5557/M1FARE-1 card//apartment ID board (Customized according to customer requirements) | | |

Hotel New Lock Series



SL-HD3-Black

SL-HD3-Silver

SL-HD3-Red Bronze

Material SUS304

Size 340*70MM



SL-H605-Gold

SL-H605-Silver

SL-H605-Red Bronze

Material Kirsite

Size 280*72MM

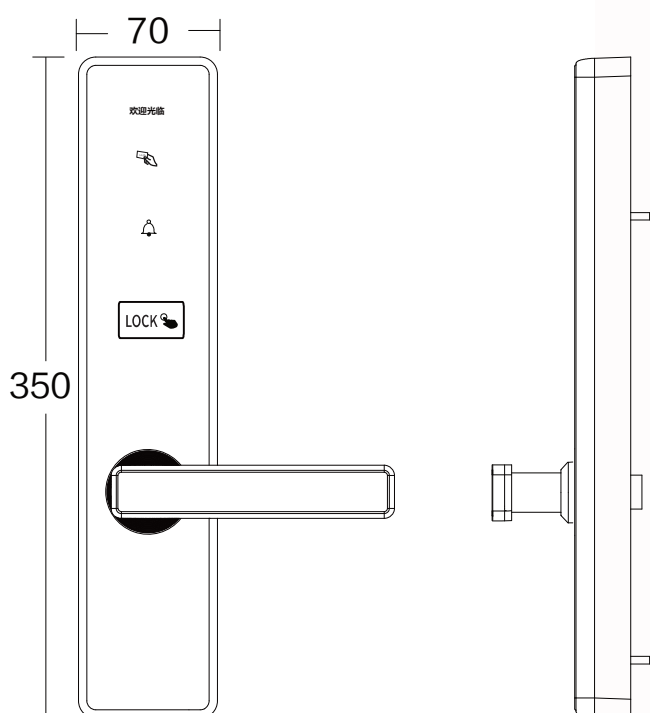
Lock body 2#CS

SL-HD9--A flagship fashion star

Simple, firm and durable appearance design style, stainless steel panel with alloy steel lining composite structure. Industrial grade motherboard design, With the integrated design of zinc alloy, fashion can return to simplicity. The lines are soft, radian and easy to handle.



SIZE (MM)



Emergency interface



Bring your own doorbell

Model **SL-HD9**

Material **Kirsite**

Colour **Grey**

SL-HD9 series



SL-HD9-Black



SL-HD9-Grey

PARAMETER

| | |
|-------------------|--|
| Model | SL-HD9 |
| Size | 350*70MM |
| Unlock | Sensor cards. keys |
| Time | <1S |
| Frequency | 125KHZ (T5557) |
| Battery quantity | Four LR6 alkaline batteries |
| Low Voltage Alarm | < 4.8V |
| Quiescent current | <20 μ A |
| Temperature | -10 $^{\circ}$ C-60 $^{\circ}$ C(-20 $^{\circ}$ C-70 $^{\circ}$ C) |
| Type | Temic E5557/M1FARE-1 card//apartment ID board |

| | |
|--------------------|----------------------------|
| Method | Non-contact induction type |
| Colour | Black. Grey |
| Number | 255 sheets |
| Distance | <3CM |
| Frequency | 13.56MHZ (M1) |
| Voltage | 1.5V |
| Induction distance | 0-5CM |
| Dynamic current | <120mA |
| Thickness | 38-55MM |

(Customized according to customer requirements)

Hotel Card Lock Series



SL-H200-Gold



SL-H200-Silver

Material Kirsite

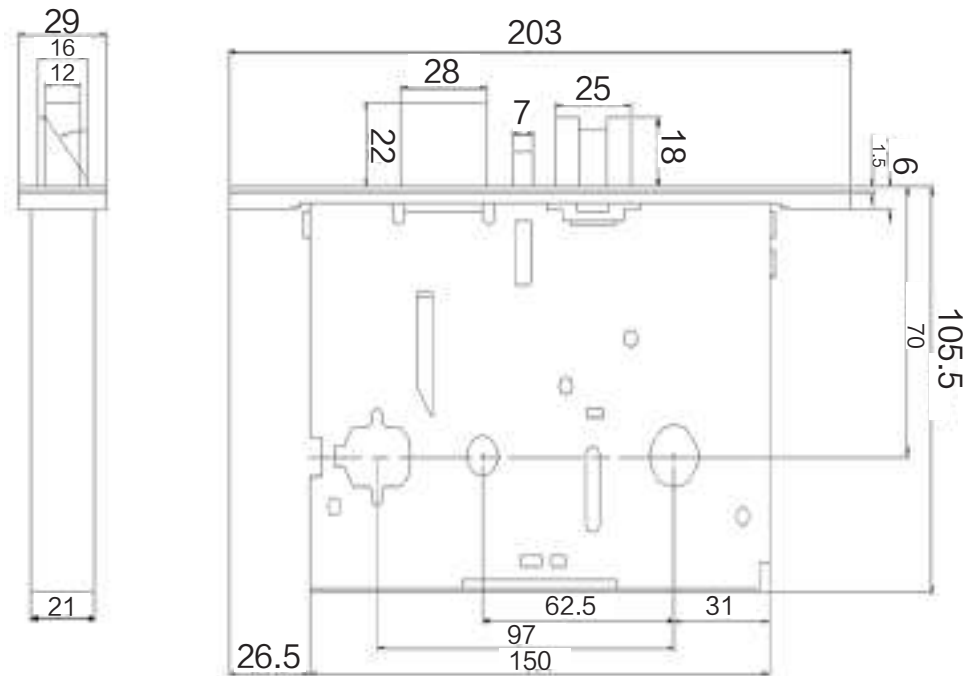
Size 288*73MM

Hotel Lock Mortise Series



1#DS

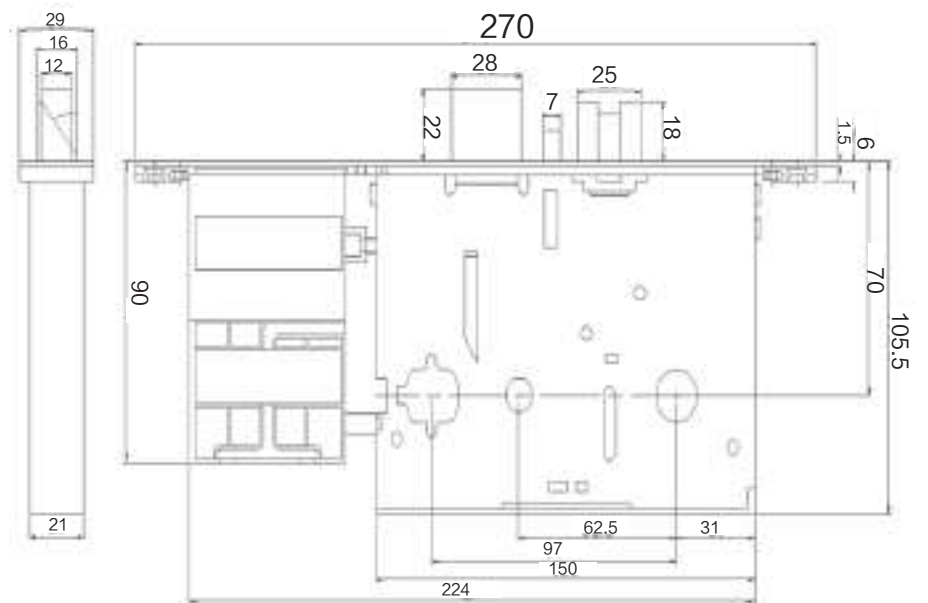
SIZE (MM)



SIZE (MM)



1#CS

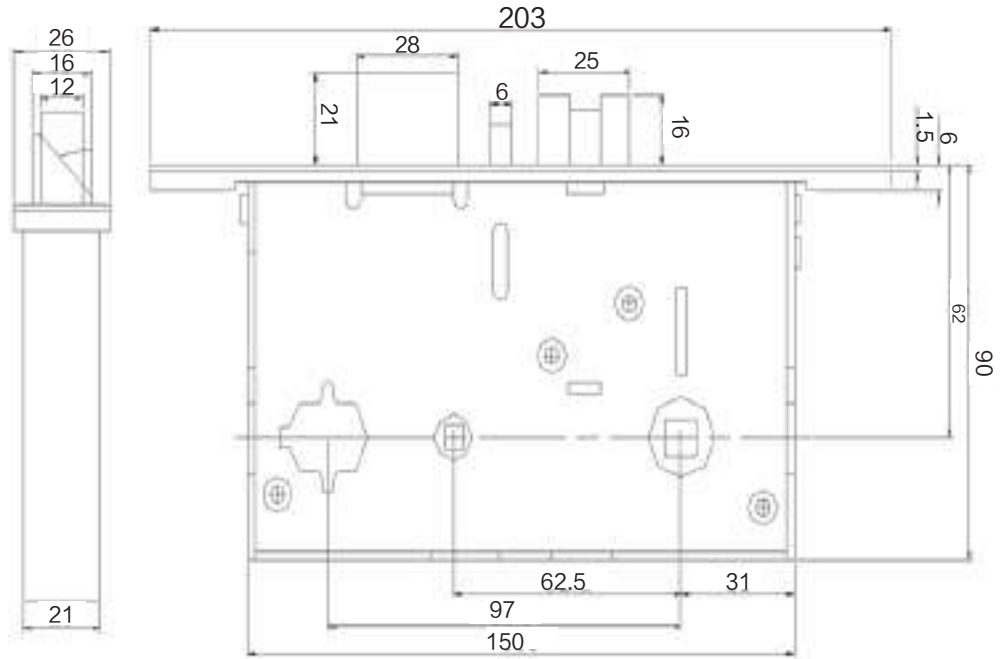


Hotel Lock Mortise Series

SIZE (MM)



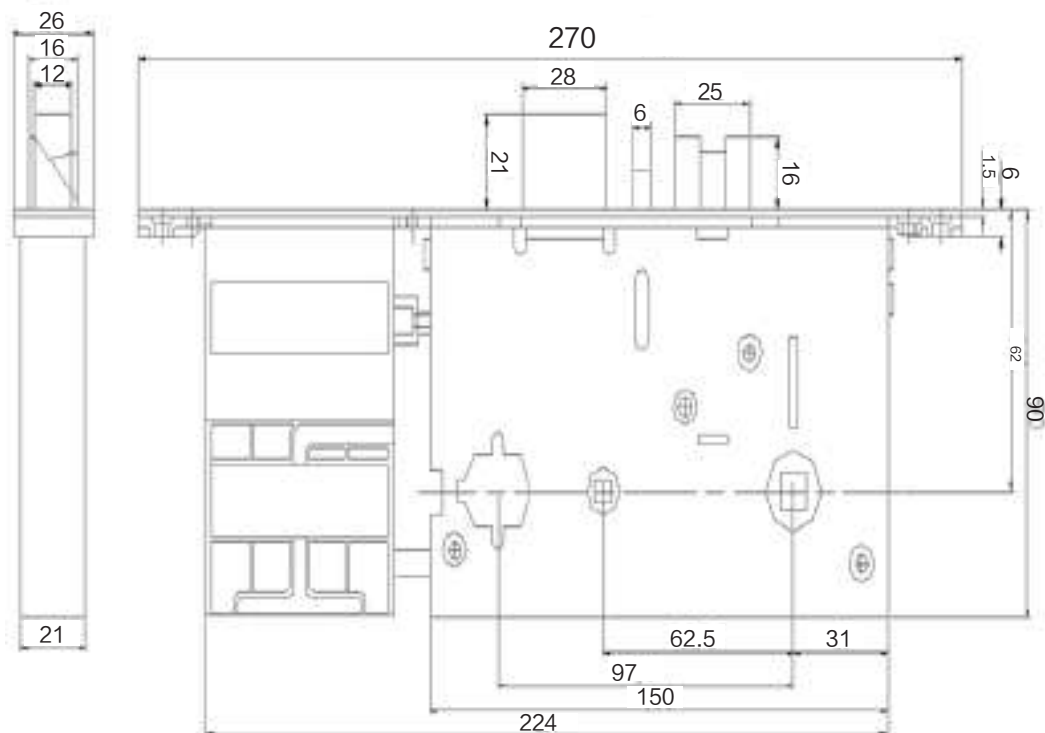
2#DS



SIZE (MM)



2#CS

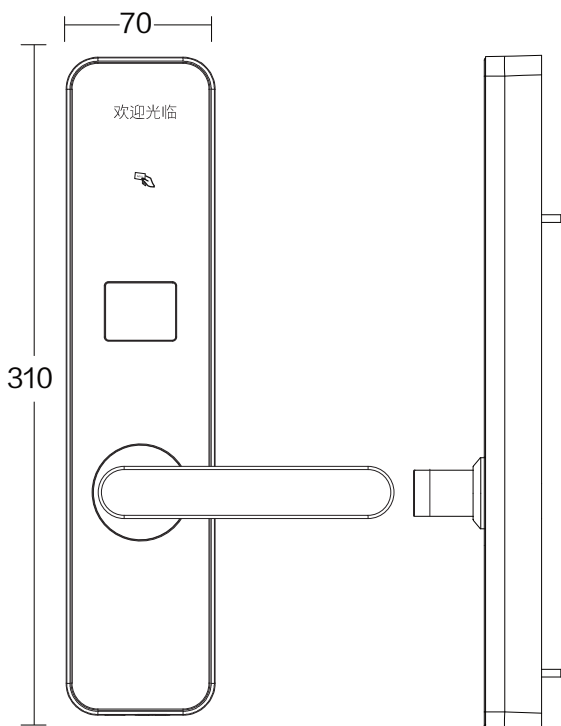


SL-HA3--Modern simple anti-theft door

Smart swipe card lock for anti-theft door. Simple and fashionable style.



■ SIZE (MM)



indoor lock

outdoor lock

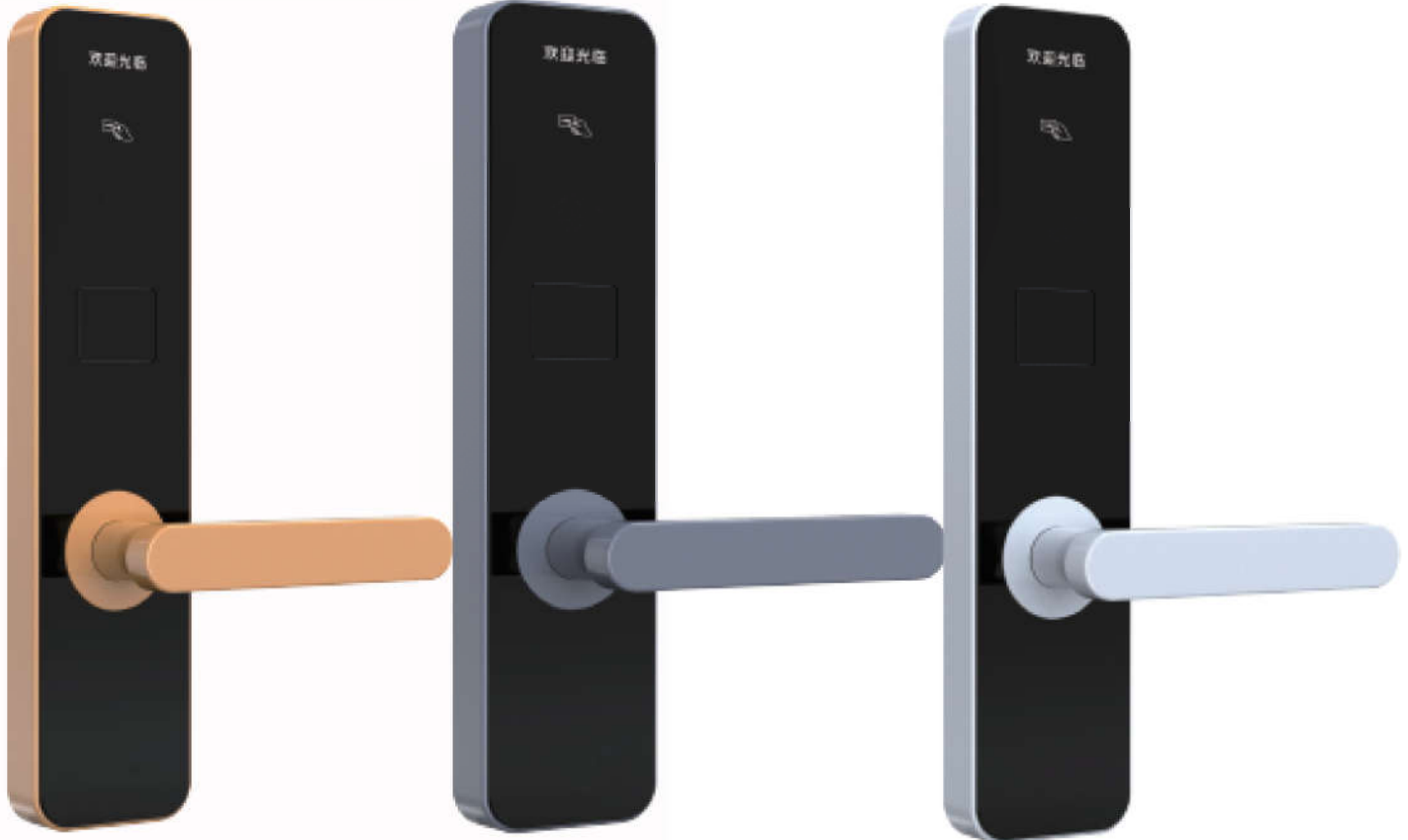
Model **SL-HA3**

Material **Al alloy**

Colour **Grey**

- Intelligent lock for anti-theft door

Anti-theft door hotel lock series



SL-HA3-Gold

SL-HA3-Grey

SL-HA3-White

PARAMETER

| | | | |
|-------------------|--|--------------------|----------------------------|
| Model | SL-HA3 | Method | Non-contact induction type |
| Size | 310*70MM | Colour | Gold.White. Grey |
| Unlock | Sensor cards. keys | Number | 255 sheets |
| Time | <1S | Distance | <3CM |
| Frequency | 125KHZ (T5557) | Frequency | 13.56MHZ (M1) |
| Battery quantity | Four LR6 alkaline batteries | Voltage | 1.5V |
| Low Voltage Alarm | < 4.8V | Induction distance | 0-5CM |
| Quiescent current | <20 μ A | Dynamic current | <120mA |
| Temperature | -10°C-60°C(-20°C-70°C) | Thickness | 38-55MM |
| Type | Temic E5557/M1FARE-1 card//apartment ID board (Customized according to customer requirements) | | |

- Intelligent lock for anti-theft door

Anti-theft door hotel lock series



SL-HD2-Black

SL-HD2-Silver

SL-HD2-Red bronze

Material SUS304

Size 330*75MM



SL-HD3-Black

SL-HD3-Silver

SL-HD3-Red Bronze

Material SUS304

Size 340*70MM

- Intelligent lock for anti-theft door

Anti-theft door hotel lock series



SL-H1058-Silver



SL-H1058-Red bronze



SL-H1058-Black

Material SUS304

Size 360*75MM



SL-H1068-Gold



SL-H1068-Silver



SL-H1068-Red bronze

Material Outer 304 Inner layer steel plate

Size 350*80MM

- Intelligent lock for anti-theft door

Anti-theft door hotel lock series



SL-H1068-B-Silver



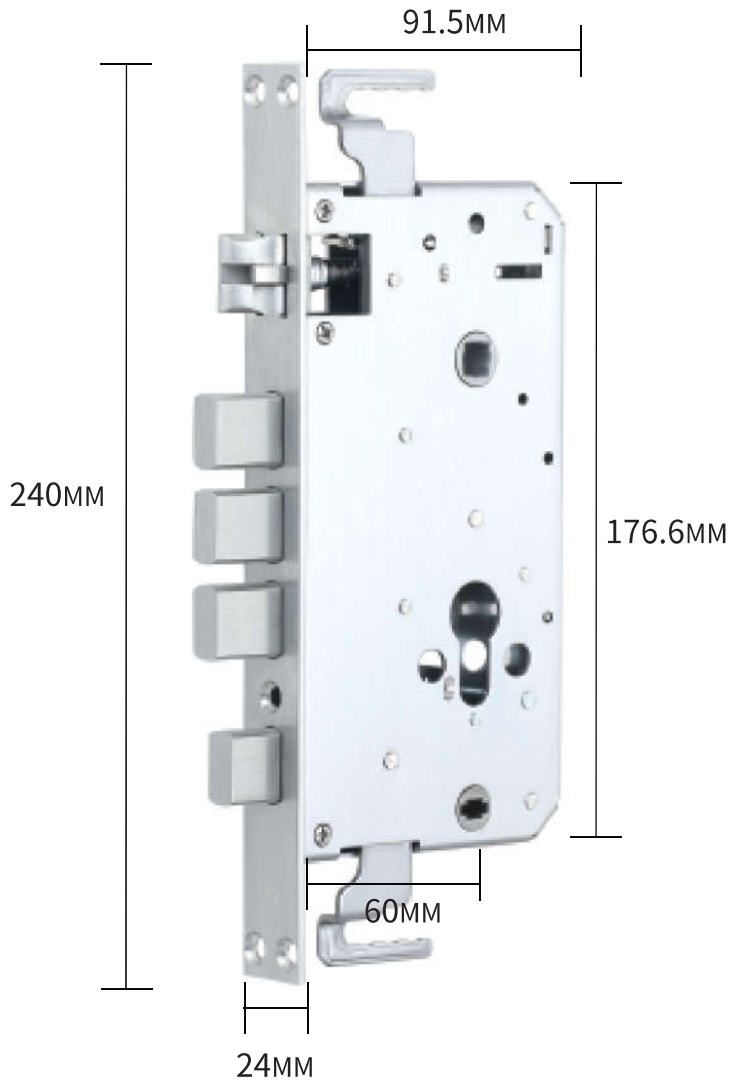
SL-H1068-B-Black

Material SUS201

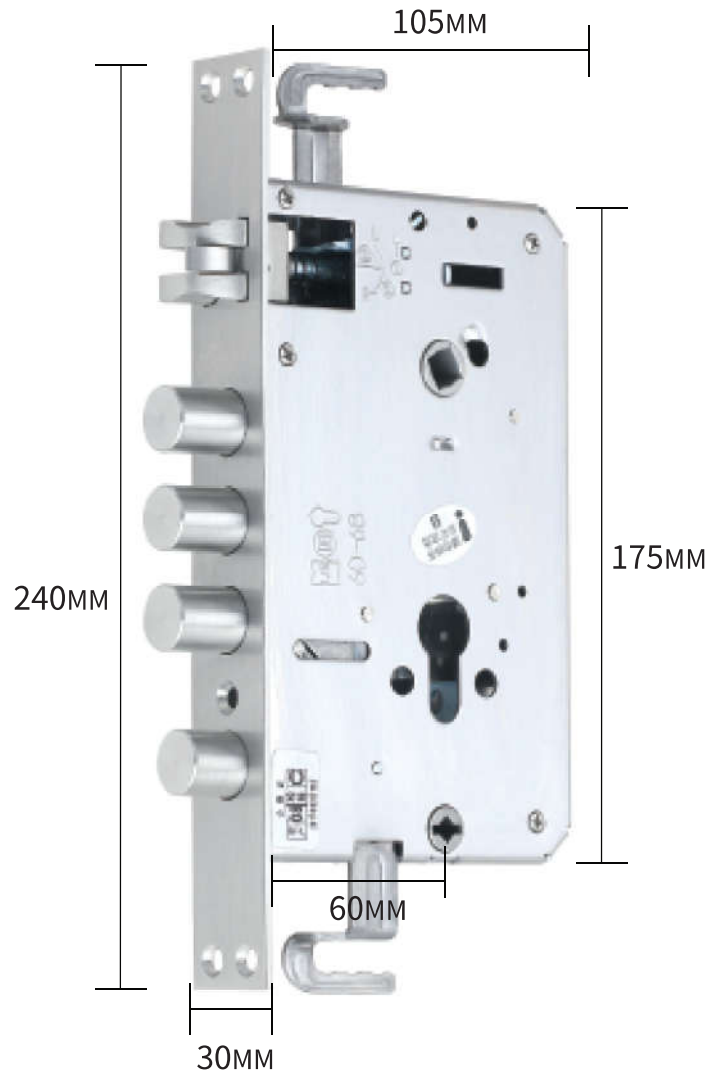
Size 350*80MM

- Intelligent lock for anti-theft door

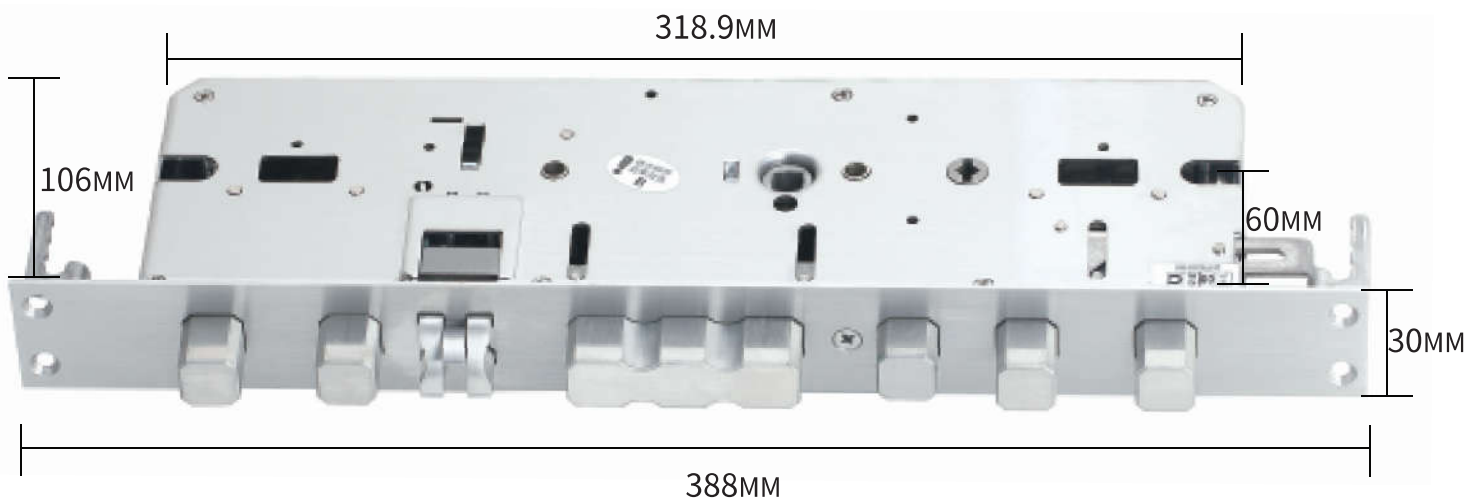
Anti-theft door lock Mortise



Standard lock body



Cylindrical lock body



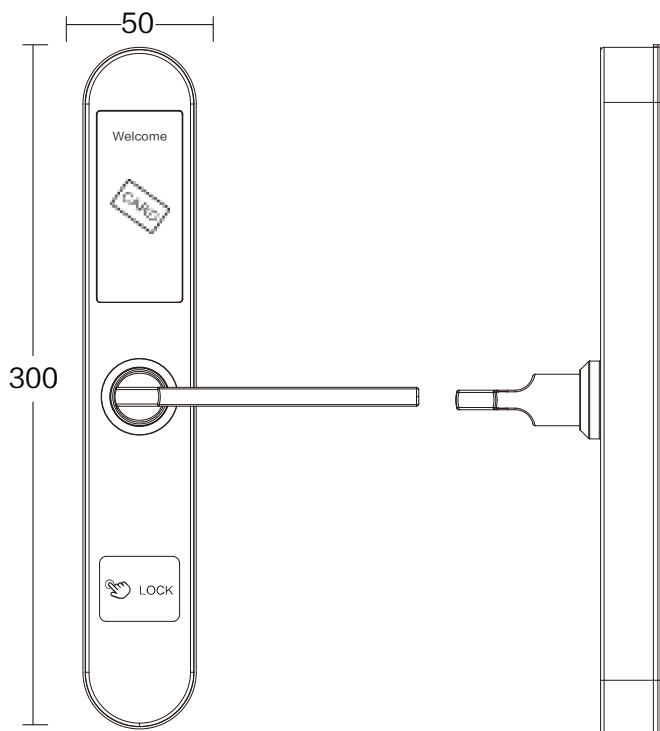
Overlock lock

SL-H1018--Small and exquisite classic style

Intelligent card swipe lock for Broken Bridge Aluminum Hotel.



■ SIZE (MM)



Model **SL-H1018**

Material **Stainless steel**

Colour **Silver**



SL-H1018 series



PARAMETER

| | | | |
|-------------------|--|--------------------|---------------------------------|
| Model | SL-H1018 | Method | Non-contact induction type |
| Size | 300*50MM | Colour | Silver, Gold, Black, Red bronze |
| Unlock | Sensor cards. keys | Lock core | All copper lock core |
| Time | <1S | Distance | <3CM |
| Frequency | 125KHZ (T5557) | Frequency | 13.56MHZ (M1) |
| Battery quantity | Four LR6 alkaline batteries | Voltage | 1.5V |
| Low Voltage Alarm | < 4.8V | Induction distance | 0-5CM |
| Quiescent current | <20 μ A | Dynamic current | <120mA |
| Temperature | -10 $^{\circ}$ C-60 $^{\circ}$ C(-20 $^{\circ}$ C-70 $^{\circ}$ C) | Thickness | 38-55MM |
| Type | Temic E5557/M1FARE-1 card//apartment ID board (Customized according to customer requirements) | | |

- Intelligent lock for broken bridge aluminium door

Hotel New Lock Series



SL-H1019-Silver



SL-H1019-Black

Material

Material SUS 304
Aluminium Alloy Optional

Size

310*40MM



SL-H1018-Gold



SL-H1018-Silver



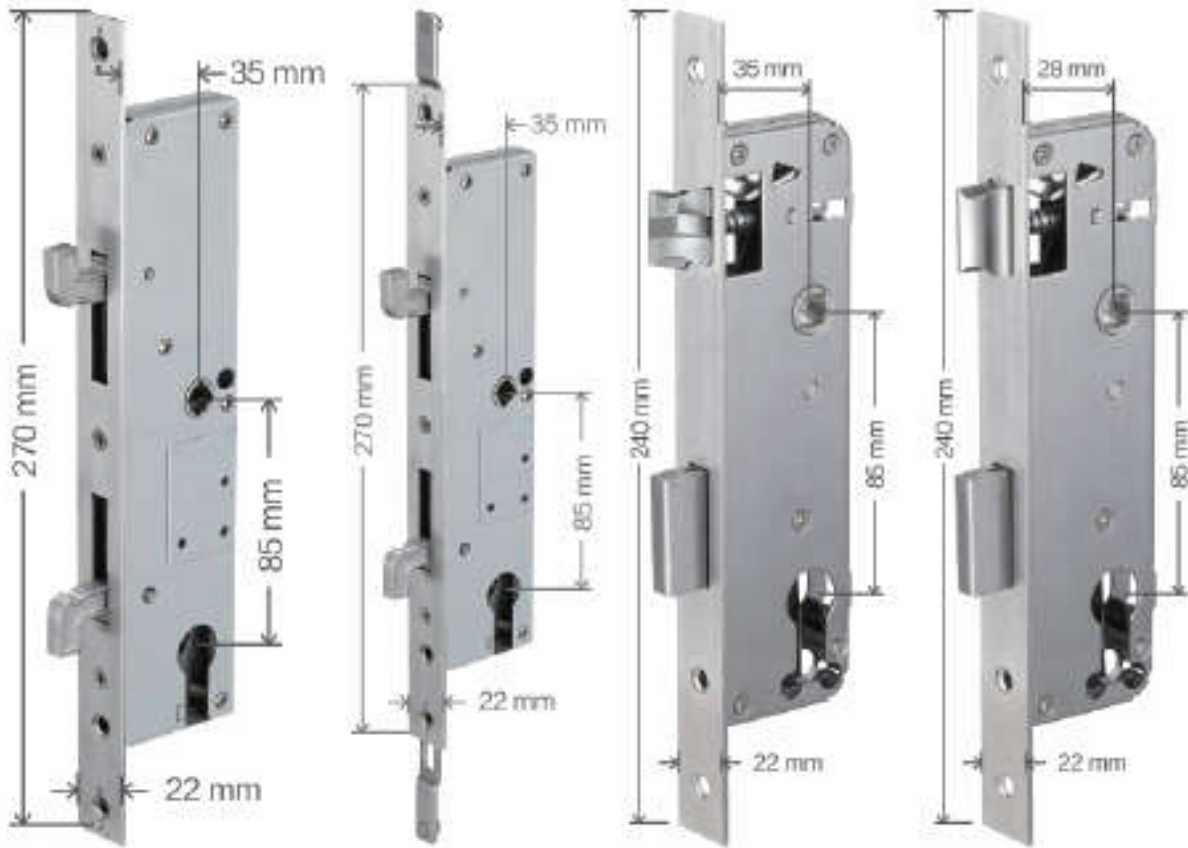
SL-H1018-Red bronze



SL-H1018-Black

- Intelligent lock for broken bridge aluminium door

Broken Bridge Aluminum Door Lock Mortise Series

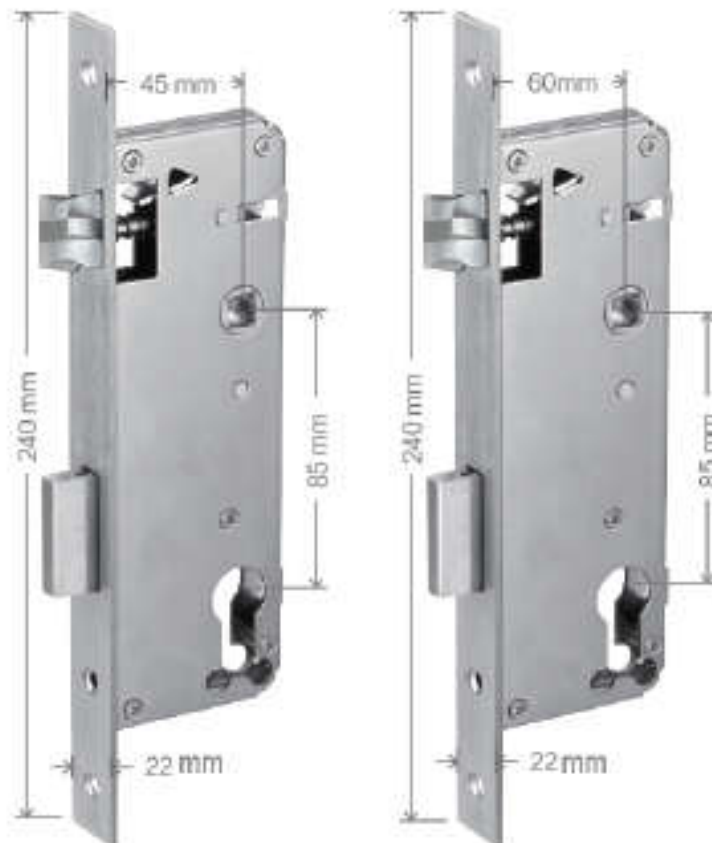


6#(Double hook35*85+Without lock)

6#(Double hook35*85+With lock)

4#(35*85)

4#(28*85)



4#(45*85)

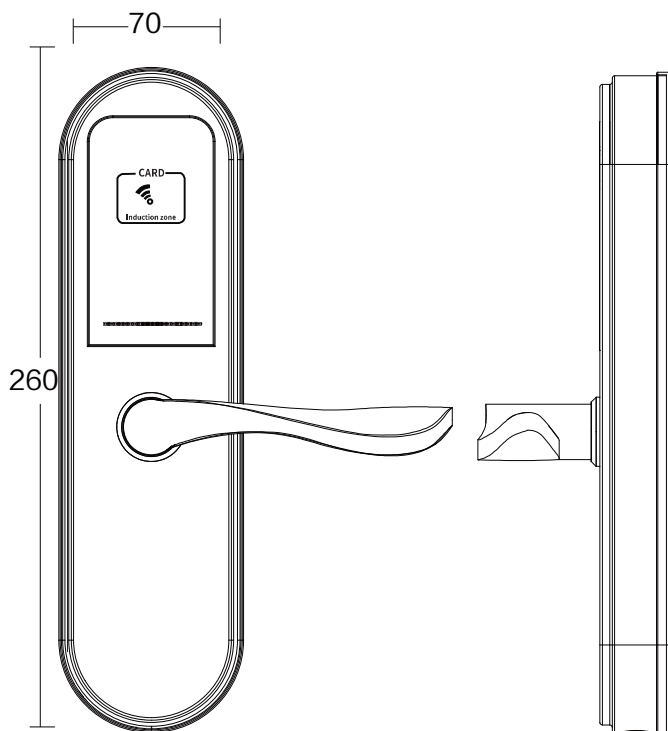
4#(60*85)

SL-H2018---Wooden door brush lock

Ball lock handle lock can be replaced directly.



■ SIZE (MM)



Emergency interface

Model **SL-H2018**

Material Electroplating + Wire Drawing

Colour **Silver**

- Intelligent lock for wooden door

Hotel New Lock Series



SL-H2018-Silver

SL-H2018-Red bronze

SL-H2018-Black

PARAMETER

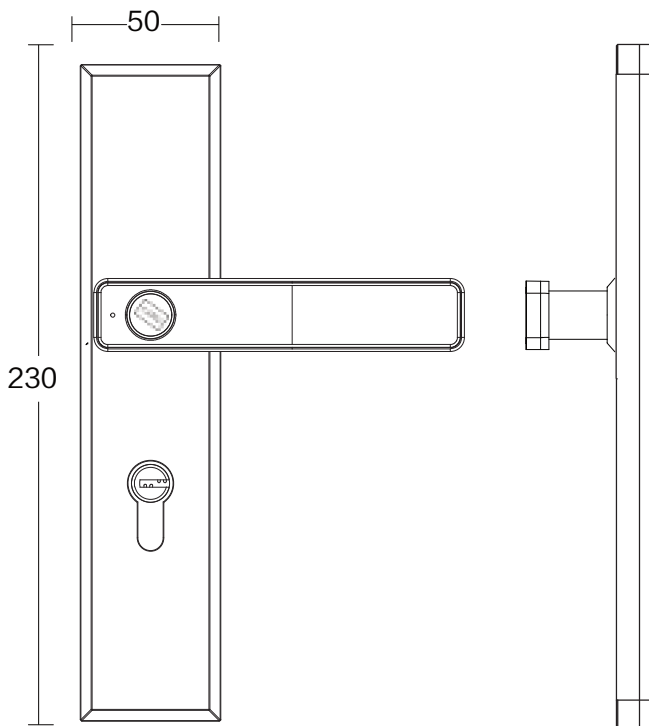
| | | | |
|-------------------|--|--------------------|----------------------------|
| Model | SL-H2018 | Method | Non-contact induction type |
| Size | 260*70MM | Colour | Silver, Black, Red bronze |
| Unlock | Sensor cards. keys | Lock core | All copper lock core |
| Time | <1S | Distance | <3CM |
| Frequency | 125KHZ (T5557) | Frequency | 13.56MHZ (M1) |
| Battery quantity | Four LR6 alkaline batteries | Voltage | 1.5V |
| Low Voltage Alarm | < 4.8V | Induction distance | 0-5CM |
| Quiescent current | <20 μ A | Dynamic current | <120mA |
| Temperature | -10 $^{\circ}$ C-60 $^{\circ}$ C(-20 $^{\circ}$ C-70 $^{\circ}$ C) | Thickness | 38-55MM |
| Type | Temic E5557/M1FARE-1 card//apartment ID board (Customized according to customer requirements) | | |

SL-H2026--Simple modern wooden door

Simple, firm and durable design style, zinc alloy material. Industrial main board design, with American standard five tongue lock body anti disturbance function.



■ SIZE (MM)



| | |
|----------|----------|
| Model | SL-H2026 |
| Material | Kirsite |
| Colour | Silver |

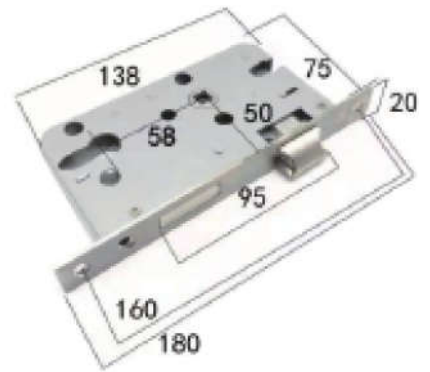
Hotel New Lock Series



SL-H2025



SL-H2026-Silver



PARAMETER

| | | | |
|-------------------|--|--------------------|----------------------------|
| Model | SL-H2025 2026 | Method | Non-contact induction type |
| Size | 230*50MM | Colour | Silver. Qing Gu |
| Unlock | Sensor cards. keys | Number | 255 sheets |
| Time | <1S | Distance | <3CM |
| Frequency | 125KHZ (T5557) | Frequency | 13.56MHZ (M1) |
| Battery quantity | Four LR6 alkaline batteries | Voltage | 1.5V |
| Low Voltage Alarm | < 4.8V | Induction distance | 0-5CM |
| Quiescent current | <20 μ A | Dynamic current | <120mA |
| Temperature | -10 $^{\circ}$ C-60 $^{\circ}$ C(-20 $^{\circ}$ C-70 $^{\circ}$ C) | Thickness | 38-55MM |
| Type | Temic E5557/M1FARE-1 card//apartment ID board (Customized according to customer requirements) | | |

Hotel New Lock Series



SL-2023-Gold

SL-2023-Silver

SL-2023-Black

LOCK BODY A1 A2

Material Kirsite

Size R70MM



SL-2019-Black

SL-2019-Silver

SL-2019-Gold

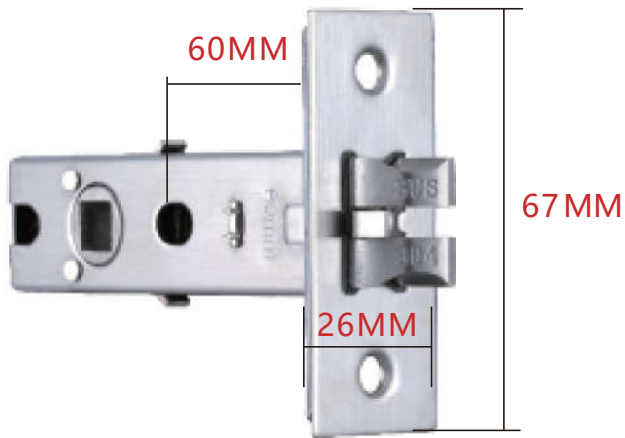
LOCK BODY 60*85

Material Kirsite

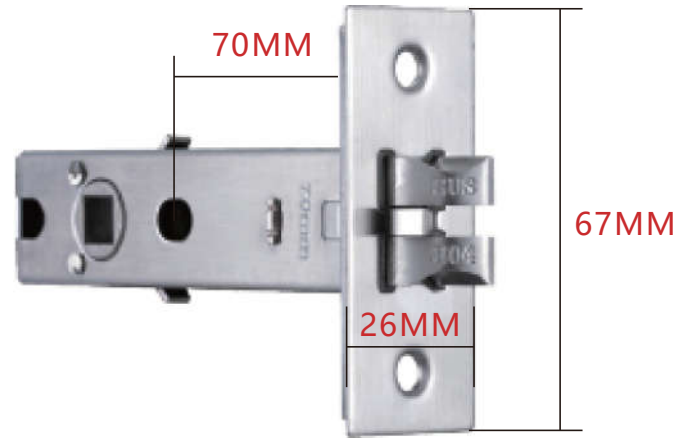
Size 140*60MM

- Intelligent lock for wooden door

Wooden Door Lock Mortise Series



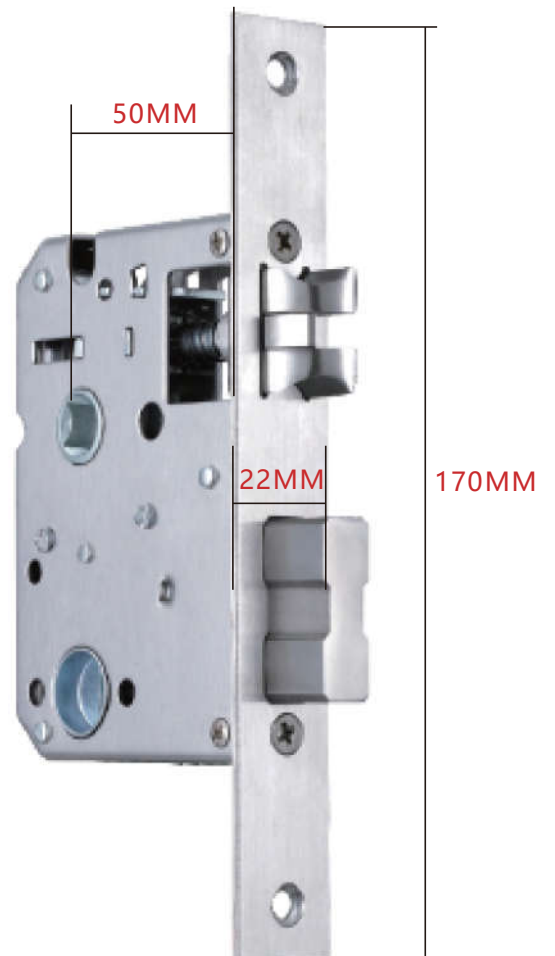
A1 lock body (center distance 60MM)



A2 lock body (center distance 70MM)



B1 lock body (center distance 50MM)



B2 lock body (center distance 50MM)

Double System Code Unlock Series



LOCK BODY 240*24

Material steel plate
Outer SUS304

Size 350*80MM

SL-HP1068-Black SL-HP1068-Silver SL-HP1068-Red Bronze SL-HP1068-Gold



LOCK BODY 240*24

Material SUS 304

Size 360*75MM

SL-HP1058-Black SL-HP1058-Silver SL-HP1058-Red Bronze

Double System Code Unlock Series



SL-HPD2-Black

SL-HPD2-Silver

SL-HPD2-Red Bronze

LOCK BODY 240*24

Material SUS304

Size 330*75MM



SL-HPD3-Black

SL-HPD3-Silver

SL-HPD3-Red Bronze

LOCK BODY 240*24

Material SUS304

Size 340*70MM

Double System Code Unlock Series



SL-HP1068-B-Black



SL-HP1068-B-Silver

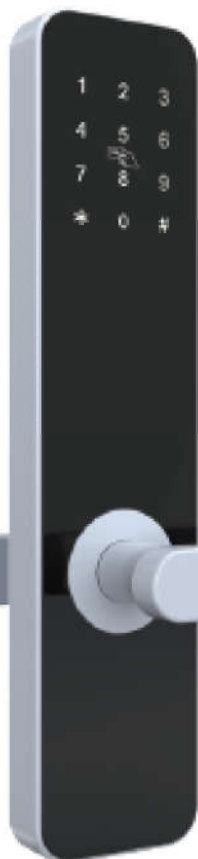
LOCK BODY 240*24

Material SUS201

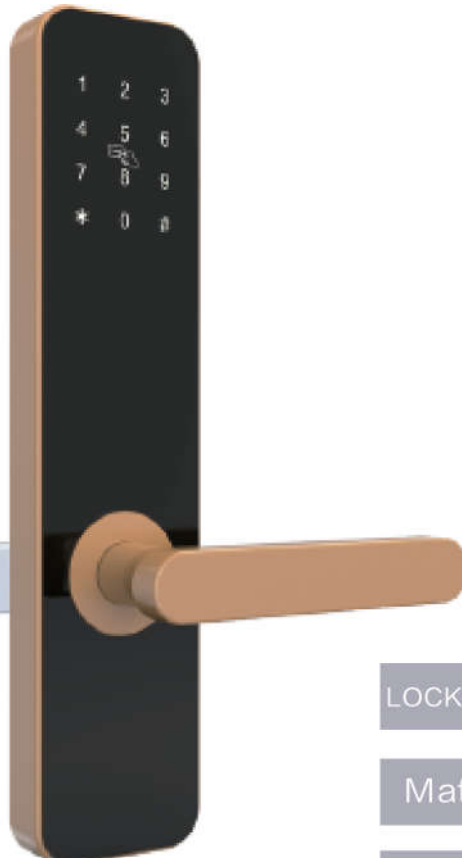
Size 350*80MM



SL-HPA3-Grey



SL-HPA3-White



SL-HPA3-Gold

LOCK BODY 240*24

Material Al alloy

Size 310*70MM

Double System Code Unlock Series



SL-HP5188-Black

SL-HP5188-Silver

SL-HP5188-Gold

SL-HP5188-Red Brone

LOCK BODY 2# short

Material steel plate
Outer SUS304

Size 308*77MM



SL-HP508-Silver

SL-HP508-Black

SL-HP508-Gold

LOCK BODY 2# short

Material steel plate
Outer SUS304

Size 300*75MM

Double System Code Unlock Series



SL-HP152-Black

SL-HP152-Silver

SL-HP152-Red Bronze

SL-HP152-Gold

LOCK BODY 2# short

Material steel plate
Outer SUS304

Size 306*75MM



SL-HPA2-Black

SL-HPA2-Silver

SL-HPA2-Red Bronze

SL-HPA2-Gold

LOCK BODY 2# short

Material steel plate
Outer SUS304

Size 310*75MM

Double System Code Unlock Series



SL-HPA6-Black

SL-HPA6Silver

SL-HPA6-Gold

LOCK BODY 2# short

Material Ti Al alloy

Size 300*75MM



SL-HPA5-Silver

SL-HPA5-Black

SL-HPA5-Gold

LOCK BODY 2# short

Material SUS304

Size 280*73MM

Double System Code Unlock Series



SL-HPA8-Black



SL-HPA8-Silver



SL-HPA8-Gold

LOCK BODY 2# short

Material Ti Al alloy

Size 300*75MM



SL-HPA12-Black



SL-HPA12-Silver



SL-HPA12-Gold

LOCK BODY 2# short

Material Kirsite

Size 300*75MM

Smart Hotel Touch Switch

Technical parameters

working temperature: 0C~40C

Model: Special Switch for Meet Shop
Time Room Number Switch

Relative temperature: 10%~39%
(non-condensing)

Colour: White Gold

Rated operating voltage: 180~240VAC 95~140VAC

Outline size: 86*86*42MM

working frequency: 50—60Hz

Applicable country: Bottom box size

Free power: Peak 6600w

Power waste: <0.8W

Function introduction

▼ The hotel special energy-saving switch is a power supply control switch designed for energy saving and safety of the hotel. It has the characteristics of energy saving, safety and controllability.

▼ When the customer checks in, insert the opening card into the energy-saving switch, the total power supply can turn on and withdraw the door card, and the energy-saving switch will automatically cut off after 5-10 seconds delay to ensure convenience and energy saving.

▼ Identify multiple card types:

Identification card switch: IC card, RF card or MI card in our hotel can get electricity, other cards, paper, etc. can not get electricity.

Identify room number card switch: Only the door card or master control card, emergency card, computer card of this building, layer control card of this floor can be accessed, other business cards, paper cards, can not open the door. All cards can't get electricity. This switch can control the time for customers to use electricity. It has the same property as the door lock.

SL-E101 White (hotel only)

SL-E201 White (Time Room Number)



SL-E101 Gold (hotel only)

SL-E201 Gold (Time Room Number)

