

## RFID Hotel Door Key Card Entry Lock SL-HD9



### 1, Features:

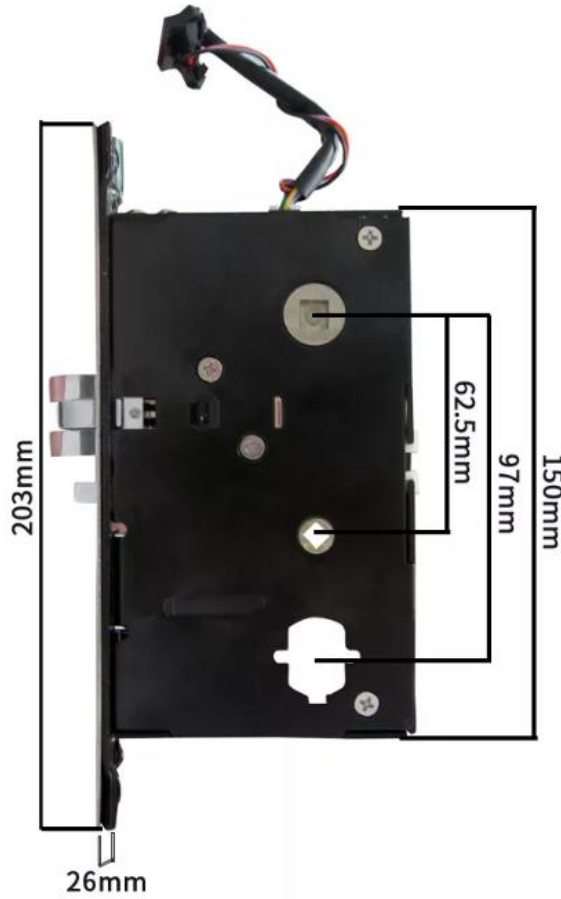
- The stylish appearance of the high-end atmosphere;
- The United States standard 5 lock tongue structure lock core, hierarchical management;
- Triple mute lock body;
- The motherboard supports anti-interference and error correction functions;
- Lock information will not be lost when power is off;
- A clock internal lock controls the use time of the key card;
- Anti-static support;
- Low voltage alarm;
- Suitable for door thickness 35-55mm

## 2, Specification:

Material	Inner steel plate Outer Zinc Alloy
Mortise	U.S Mortise with 5 Latches
Door Type	Wooden door, composite door
Power supply	6V (4x AA batteries)
Unlock method	swipe + key
Low voltage worming	Yes
Card reading distance	less than 3CM
Color:	gold / gray / black
Application:	hotel / school / office/apartment, etc.
Door thickness:	30-55mm
Software	Yes
Type	Hotel management software
OS	Windows XP/Vista
Card Type	Mifare Card/ T555 / EM430 / apartment ID board
Card reader	Hotel lock encoder
Environment & Verification	
Working Temperature	-20°C-50°C
Working Humidity	20%-70%
Backup unlock mechanism	Mechanical Key
Dimension (L*W)	350*73*30mm
Warranty:	2 year
Weight:	3KG
Battery life	support 5000 lockout unlocking operation

### 3, Lock Mortise:

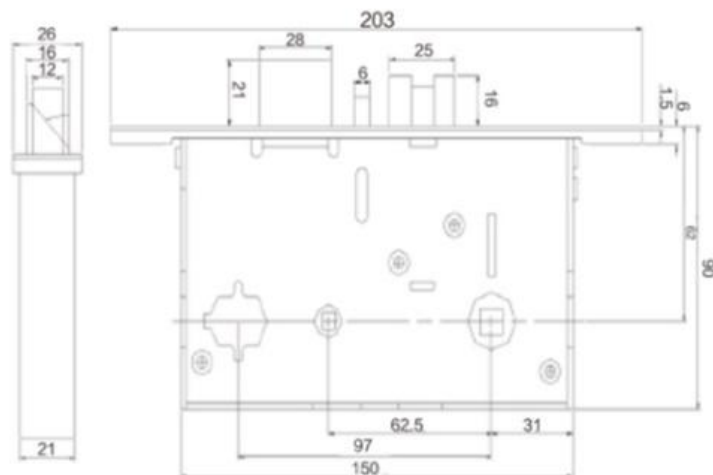
Modle&size



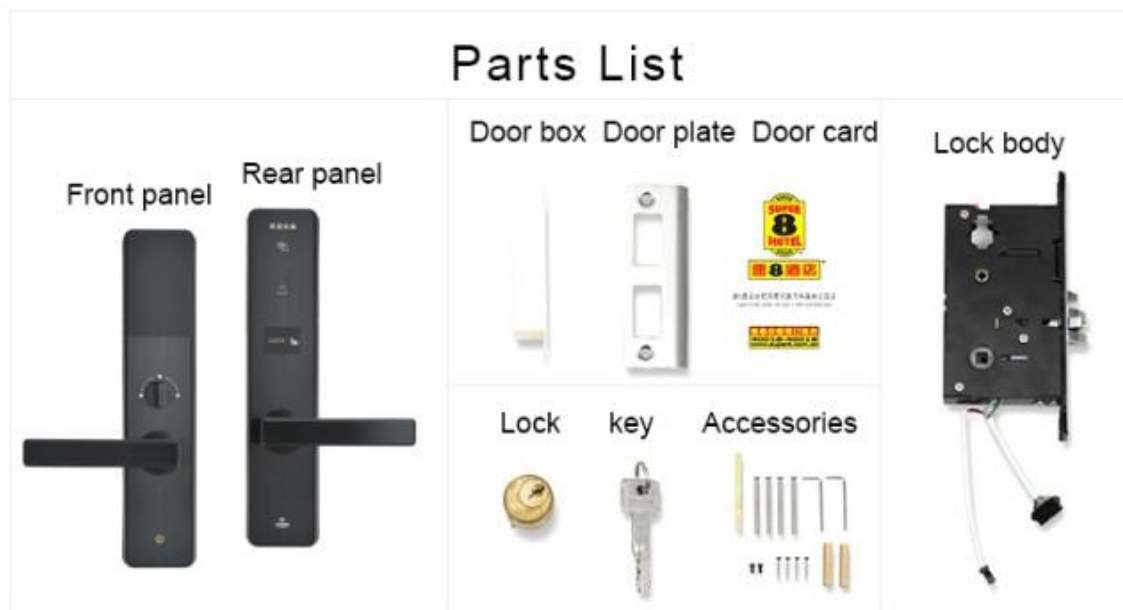
SIZE



2#DS



## 6, Packing Details



1: Front panel

2: Real panel

3: Lock mortise

4: Lock strike box

5: Lock strike plate

6: Room card

7: Mechanical lock cylinder

8: Fix mounting screws

9: Mechanical key

## 5, Installation Drawing

